



2024 DECKING INSTALLATION GUIDE



Trex Installation Guide

CONTENTS

To learn about Trex Signature[®], Transcend[®], and Select[®] railing products, visit www.trex.com/products/railing

What's New for 2024:

- Page 12 - Added new product information
- Page 14 - Updated fastener recommendations
- Page 42 - Updated color palette

Need Help?

Trex provides a variety of valuable resources to answer your questions or concerns. For additional assistance, check out:

» **Trex.com**

Here you will find a wealth of useful information on Trex's extensive product lines including: installation, care and cleaning instructions and videos, technical help, and FAQs. You'll also find inspiring photos of deck projects, steps to help you plan and start your project, and tips for selecting the right deck builder. At www.trex.com, you can request information, register your warranty, and reach out to customer service representatives who can answer even more questions.

- » Call **1-800-BUY-TREX (1-800-289-8739)** and speak to a Customer Loyalty Advocate who can answer your questions.

Refer to www.trex.com for up-to-date installation and technical documents that may not be found in this printed guide.

Installation instructions are always being reviewed for updates. Please visit our website at www.trex.com and choose "Literature" at the top right of the page, then choose "Installation Guides" on the left side of the page to review installation instructions.

SECTION ONE: General Information

- Safety 3
- Tools 3
- Care and Cleaning 4

SECTION TWO: Planning Ahead

- Trex[®] Decking 7
- Installing Trex[®] Lattice 7
- Railing (Including ADA Handrail) 7
- Trex[®] DeckLighting 7
- Trex[®] RainEscape[®] Drainage System 7
- Installing Hot Tubs, Planters, and Seating 8
- Installing Fireplaces and/or Fire Pits 8
- Installing a Trex[®] Pergola 8
- Installing Trex[®] Spiral Stairs 8
- Installing Trex[®] Outdoor Kitchens 8

SECTION THREE: Decking

- Trex Decking 10
- Trex Hideaway[®] Hidden Fastening System 11
- Decking, Fascia, Plugs and Fastener SKUs 12
- Trex[®] Branded Recommended Fasteners 14
- All Other Recommended Fasteners 14
- Trex[®] Fascia Installation Recommendations 16
- Framing and Fastening Tips 19
- Rooftop and Sleeper Deck Systems 20
- Metal Framing Requirements and Gapping 21
- Code Compliance 22
- Gapping and Overhang 23
- Important Notes Before Installing Trex Decking 24
- Routing Square-Edged Boards for Trex Hideaway Hidden Fasteners 24
- Abutted Board Attachment Requirements 24
- Trex Hideaway[®] One-Step Hidden Fastener Tool
 - Instructions 25
 - Butt Clip Instructions 27
- Installing Trex Signature[®], Transcend[®], Enhance[®], Select[®] Decking without One-Step Tool 28
- Replacing Decking 29
- Trex Hideaway[®] Deck Plug For Trex Transcend[®], Trex Select[®] and Trex Signature[®] Decking 30
- Trex Hideaway[®] Deck Plug For Trex Enhance[®] Decking 31
- Trex Hideaway[®] Fascia Plug 32
- Trex[®] Decking Color-Match Composite Screw 33
- Trex[®] Fascia Color-Match Composite Screw 34
- Spanning Requirements For Trex Stairs 35
- Installing Trex[®] Stair Treads
 - Installed with Hidden Fasteners 36

SECTION FOUR: Warranties

- Trex[®] Decking, Fascia and Cladding Limited Warranty 38
- Trex[®] Fasteners Limited Warranty 40
- Color Palette 42



This symbol indicates text continues to next page.

NOTE: Construction methods are always improving. Please refer to www.trex.com for the most up-to-date installation requirements.

Safety

When working on any construction project, you should wear protective clothing and safety equipment. Wear safety glasses, gloves, a dust mask and long sleeves, particularly when cutting in confined spaces.

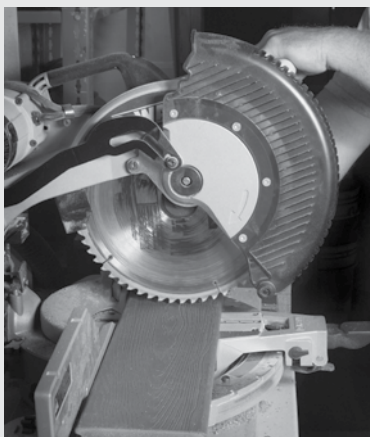
Trex decking and railing are heavier and more flexible than wood. **DO NOT** try to lift the same quantity of Trex boards as you would traditional lumber. Go to www.trex.com for Safety Data Sheets (SDS).

Tools

SAWS

Miter Saw:

When using a miter saw we recommend using the Trex Blade™ or a carbide-tipped blade with 60 teeth or more. The Trex Blade comes in three different sizes and is ideal for cutting all Trex decking and railing products.



Jigsaw:

For detailed and/or small cuts (i.e., cutting deck board to fit around a post), a jigsaw with a carbide-tipped blade can be used.



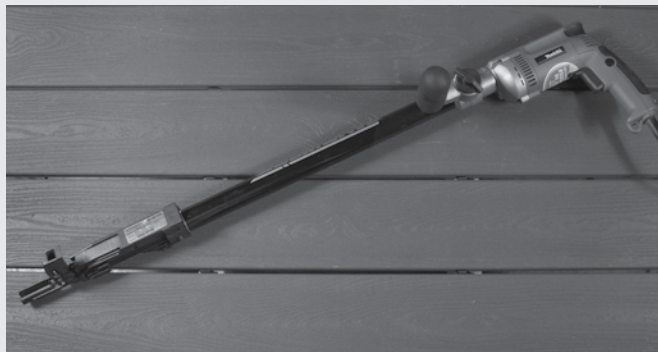
DRILLS

Install Trex recommended fasteners with standard power drills, impact drivers (use care if using impact drivers), or right angle drills.



SPECIFIC DECK BOARD ATTACHMENT TOOLS

Screw Guns:



Some Trex recommended deck fasteners are compatible with screw guns. Refer to the recommended fasteners page for more information.

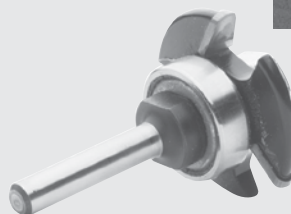
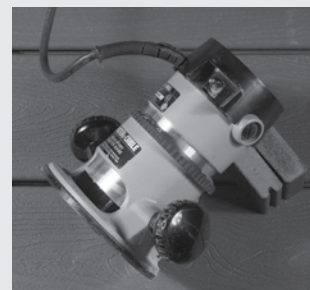
TigerClaw® Pneumatic Gun:

If choosing the TigerClaw TC-G Hidden Fasteners, the TigerClaw pneumatic gun is a terrific option that allows for quicker install time.



Trex Router Bit:

Trex decking routs to give extremely crisp edges when using the Trex Router Bit with standard router, and can be used with all Trex Hideaway Hidden Fasteners.



*Trex® Blade™ is manufactured and sold by Freud Tools, Inc. under a Trademark License Agreement with Trex Company, Inc.

*Tiger Claw® is a registered trademark of Tiger Claw, Inc.

TREX SIGNATURE®, TRANSCEND®, ENHANCE® AND SELECT® DECKING-Care and Cleaning Guide

All exterior building materials require cleaning. Generally, soap and water is all that is required to clean all Trex Decking products. For Trex Signature decking, some cleaning agents or chemicals such as solvents, acids or plasticizers can damage the surface of Trex Signature decking. Examples may include insect repellents, sunscreen products, or degreasing cleaning agents. Always refer to manufacturing labels as well as contact Trex customer care to determine if a specific product is safe to use. Many products will contain warning information regarding damage to plastic and these such products should never be used on Trex Signature decking. Refer to Trex.com for cleaning recommendations for early generation decking products.

Problem	Solution
Dirt and Debris	The affected area should be sprayed off with a hose to remove surface debris. Use warm soapy water and a soft bristle brush to remove dirt and debris from the embossing pattern.
Using a Pressure Washer (General Cleaning Issues)	A pressure washer with no greater than 3100 psi** that has a fan attachment/adjustment and soap dispenser may be used to remove dirt or mud. Spray deck with soap, then follow by gently scrubbing each deck board with a soft bristle brush. Spray/rinse each individual deck board using a fan tip no closer than 8-in (203 mm) from the decking surface. RINSE THOROUGHLY. If dirty water from cleaning is left to dry, a film will remain on the decking surface.
Issues with Concrete, Cement, Mortar, or Stucco Dust	When working with cement, concrete, mortar, or stucco, protect the decking as much as possible in order to not get dust particles on the decking surface. These particles, once they get hot or wet, can cause a reaction on the decking surface and are very difficult to remove. If particles get on the decking surface, Trex recommends using Sakrete™ Concrete Dissolver (www.sakrete.com/products/concrete-dissolver). BE SURE TO FOLLOW MANUFACTURER'S INSTRUCTIONS.
Hard Water Staining	Hard water is water with high amounts of mineral deposits like lime, silica and calcium. When the water dries, deposits are left behind, leaving unsightly spots on surfaces. This is not a defect of Trex products but an issue with the water itself. Generally, these deposits can be cleaned with white vinegar on decking surfaces. Rinsing is required, so care should be taken to not use hard water for this purpose. If hard water must be used, dry with a cloth or use a blower to dry surfaces. In some cases a deck brightener product may also be used to help clean hard water stains.
Chalk Lines	Most colored chinks are permanent and may discolor the surface. Use only Irwin Strait-Line Dust-Off Marking Chalk (purple), DeWalt® Blue Chalk, or DeWalt® Orange High Visibility Chalk.
Tannins Due to Debris	Remove all debris from the deck using a hose or broom. Once the deck surface is dry, apply a deck "brightener"* to the deck as directed by the manufacturer. Deck Brighteners contain oxalic acid, which will also remove tannins.
Ice and Snow	A plastic shovel may be used to remove snow from the deck. Use calcium chloride or rock salt to melt the snow and ice from the deck surface.
Oil, Grease, and Food	All food spills should be removed as soon as possible. The surface must be cleaned within seven days to maintain the stain warranty. To remove, spray off with a hose and use warm, soapy water and a soft bristle brush (do not use a wire brush) to remove spills from the embossing pattern.
Mold and Mildew	If debris such as pollen and dirt is allowed to remain on the deck surface, mold can feed on the biofilm. Using a hose and warm, soapy water with a soft bristle brush (do not use a wire brush) is recommended to remove the food source and mold.



TREX SIGNATURE®, TRANSCEND®, ENHANCE® AND SELECT® DECKING- Care and Cleaning Guide

Problem	Solution
Trex and Static Electricity	<p>While this is not common, static electricity can occur on walking surfaces in dry climates or in areas where dry winds and dust-borne particles lay on the decking surfaces. Static electricity can build up on occupants walking across any composite decking surface, including Trex, then produce a small static shock if they touch a grounded metal surface such as railing, door, etc.</p> <p>This condition can be decreased greatly with the use of a product call ACL Staticide®. Two products tested were General Purpose Staticide® and Heavy Duty Staticide®. Both are effective in greatly reducing static electricity on Trex decking surfaces. Apply full strength, using a mop on a dry decking surface, and allow to dry; no rinsing or diluting needed. Products are non-toxic, non-flammable, non-staining (will not change the color of decking surface), completely biodegradable, and safe to use. Product is water-based and may require a second application after rain or other weather conditions. Over a period of time, the effect of static will dissipate naturally on the decking surface.</p> <p>See link for more information on product: https://www.aclstaticide.com/categories/anti-static-coatings</p>
Rubber Mats	Use caution when using rubber-backed mats i.e., welcome mats, etc. as these may contain substances that can sometimes discolor or lighten the decking surface.
Curving Trex Decking	There are methods to heat Trex decking to a high enough temperature to achieve a desired curved radius. Please contact Trex for additional details. Trex Signature and Trex Enhance decking cannot be curved.
Material Handling/ Storage	<p>Store decking on a flat level surface and ALWAYS use proper supports (dunnage). DO NOT store directly on the ground. When stacking Signature, Transcend, or Select decking as well as all fascia products, bundles, supports (dunnage) should start approximately 10" (254 mm) from each end (Enhance decking should start approximately 18" (457 mm) from each end) and be spaced approximately 2' (0.61m) on center. In addition, supports (dunnage) should line up vertically/perpendicular to the decking product. Adjust support blocks (dunnage) accordingly if bundles are loose. For Select decking, Enhance decking, and 1x12 and 1x8 products, the maximum stack height is 12 bundles. For all other decking products maximum stack height is 14 bundles (IMPORTANT TO NOTE THAT PROPER DUNNAGE SPACING MUST BE IN PLACE FOR THESE HEIGHTS). When stacking multiple bundles, ensure that dunnage lines up vertically down through each stack. ALWAYS cover decking products on site until ready to be installed.</p>

Sakrete™ is a trademark of Oldcastle APG, a CRH Company.

*Use of products containing bleach or acid can lighten the surface of Trex. Use in an inconspicuous area to determine whether you like the effect. Product will **not** affect the structural integrity of Trex.

**Use of a pressure washer greater than 3100 psi could damage the boards and void the warranty.

NOTES:

- » Refer to www.trex.com to view a general care and cleaning video for Transcend, Enhance, and Select decking.
- » Refer to www.trex.com for a care and cleaning guide for Trex Early-Generation Composite and PVC Decking.



PLANNING AHEAD

PLANNING AHEAD

Trex Decking:

- » When installing ANY Trex decking product, especially streaked boards, it is a good idea to mix and match all of the boards on the job site prior to installation to ensure an appealing mix of light and dark tones.
- » **DO NOT combine Trex Select decking with other Trex decking products.** Trex Select boards are thinner than Signature, Transcend, or Enhance boards.
- » For added protection to wood framing, use Trex® Protect Joist and Beam Tape on the top of joists, rim joists, and ledger boards to help prevent rot and wood decay. Refer to trexprotect.com for more details.

Trex Decking Temperature:

Like many other outdoor surfaces, such as concrete, asphalt, beach sand, wood decking, other brands of composite decking, etc., Trex® decking can get hot due to weather and sun exposure. On such days, care needs to be taken to make sure skin does not have extended contact with the surface of the deck, especially with young children and those with special needs. Please note also that the darker the color, the hotter the deck will feel. For hotter climates, consumers should consider choosing a lighter color.

Trex Products Near Low-E Window:

Low-E glass reflects more sunlight. It has been observed that the extra reflectivity, combined with any concavity in the glass, can act like a concave mirror. This mirror effect concentrates sunlight onto outdoor objects, including that of decking and railing. This can result in an extreme amount of heat concentrated on areas of the decking surface. This can sometimes char the decking surface or cause the decking to slightly bow.

Installing Trex® Lattice:



- » No special skills or tools are required to install Trex Lattice. The lattice cuts, drills and routes using standard wood cutting tools. Fastening can be done with stainless steel screws or nails.

Refer to www.trexlattice.com/ for information on how to plan, order and install Trex Lattice. Trex Lattice is manufactured and sold by Home & Leisure, Inc., d/b/a/ Structureworks, under a Trademark License Agreement with Trex Company, Inc. A 20-year Limited Warranty is provided by the manufacturer.

Railing (Including ADA Handrail):

- » First, pick the railing style you want.
- » Calculate your spanning based on the railing you choose.
- » Determine the number of balusters you will need based on the railing you choose.
- » All 2024 Trex railing products are made to be installed at 6' or 8' clear span between posts.

NOTE: For post placement on stairs, it is VERY IMPORANT to plan your post spacing based on the length of the rail and angle of the stairs. For nominal 6' and 8' stair rail lengths, stair post spans (measured horizontally) will be less than 6' or 8' due to the angle of the stairs.

- » Determine post locations prior to installing any decking. In most cases, posts are usually installed before decking is installed.
- » Confirm with your local building official if ADA Handrail is required, and if so, plan spanning for posts accordingly to allow for attachment of Trex ADA Handrail. ADA Handrail requires a span of 6' OC for posts.
- » Grill placement: A good recommendation to help prevent damage to your railing is to not have a grill too close to your railing. Allow for ample airspace 18"-30" is recommended – refer to grill manufacturer for additional details between the back/sides of your grill to help prevent charring or staining to the railing.

Refer to www.trex.com to view detailed install instructions for Signature, Transcend or Select railing.

Trex® Outdoor Lighting:

- » Plan locations of lights, power supply, timer, and dimmer. These should be accessible for service if necessary.
- » Install wiring before decking and railing have been installed.
- » **DO NOT** run wires between joists and deck boards.

Refer to www.trex.com to view detailed Trex lighting instructions.

Trex® RainEscape® Deck Drainage System:

- » Plan ahead for deck layout to allow for proper placement of Trex RainEscape within the joist system.
- » Make sure joists are straight and square.

See www.trex.com for more information on Trex® RainEscape® recommendations and installation. Trex RainEscape is manufactured and distributed by IBP, LLC, under a trademark license with Trex Company, Inc.



PLANNING AHEAD/CONTINUED

Installing Hot Tubs, Planters, and Seating:

- » Plan ahead proper joist spanning if required (this is especially important if installing a hot tub).
- » Refer to page 22 for Trex Decking Span Chart for specific loads.

Call 1-800-BUY-TREX for detailed questions.

Installing Fireplaces and/or Fire Pits With Trex Decking:

- » Determine if fire will be gas or wood burning. (**NOTE:** Most fire pits shown in Trex images are gas burning.)
- » For gas, the fire pit is installed by cutting around the Trex decking. **It is not to be installed on top of Trex® decking.** A fire-resistant material is installed under the fire pit and a protective wall made from stone or other fire-resistant material is installed to hold fire pit in place and also protect the decking from heat.
- » For wood, fire pits are not recommended directly on top of Trex decking unless using a protective thermal barrier. Wood-burning fire pits can damage the decking due to extreme heat from the bottom of the fire pit and/or embers shooting onto the decking. Trex does recommend that this thermal barrier be moved from time to time for general cleaning underneath. It should be noted that even when using a thermal barrier, embers could shoot beyond this and burn the deck. Ensure from the manufacturer that the thermal barrier is compatible with composite decking.

Installing a Trex® Pergola on Trex® Decking:

- » Keep in mind that if you are planning to install a Trex® Pergola on your deck, you will need access to the underside of the deck. Trex® Pergola mounts with a 10" x 10" (254 mm x 254 mm) aluminum plate on the underside of the deck, creating a clamping effect on both the top and bottom of the deck for maximum strength. If installed, water barriers and any under deck coverings will have to be removed to properly install the pergola posts.
- » You need to consider the location of your pergola posts with respect to joists. However, you do not have to mount your plates between joists. It is possible to place blocks on the bottom of the joists and mount the Trex Pergola brackets through the blocks.

Trex® Pergola products are manufactured and sold by Home & Leisure, Inc., d/b/a/ Structureworks under a Trademark License Agreement with Trex Company, Inc. A 25-year Limited Warranty is provided by manufacturer.

Installing Trex® Spiral Stairs:

- » Refer to www.trexspiralstairs.com for detailed information on how to plan and install Trex Spiral Stairs.



Trex® Spiral Stairs are manufactured and sold by SS Industries dba Paragon Stairs. Trex® is a trademark of, and is used by SS Industries dba Paragon Stairs under license with Trex Company, Inc.

Installing Trex® Outdoor Kitchens:

- » Refer to trex-outdoorkitchens.com for detailed information on how to install Trex Outdoor Kitchen products.

Trex® Outdoor Kitchens is manufactured and sold by Denver Acquisitions LLC., under a Trademark Agreement with Trex Company, Inc. A Limited Warranty is provided by the manufacturer.

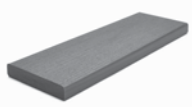
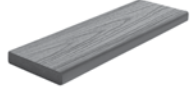
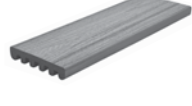

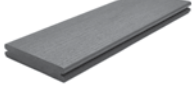
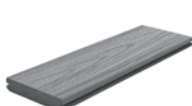
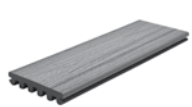


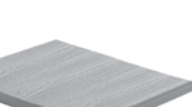

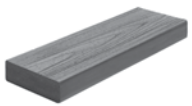
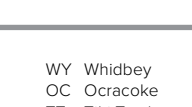
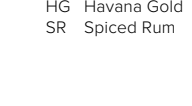
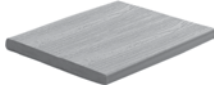

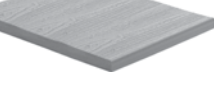




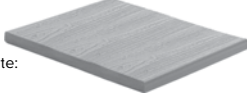

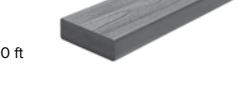




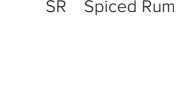
NOTE: You can always reference the Design Tools Section on www.trex.com for additional planning ahead aids.

DECKING

A black and white photograph of a modern outdoor deck. The deck is made of light-colored wood planks and features a dark metal railing. In the background, there is a wicker sofa with cushions and a coffee table. The deck is surrounded by potted plants, including a large succulent in the foreground. The view from the deck shows a vast landscape of rolling hills and mountains under a cloudy sky. The word "DECKING" is written in large, white, sans-serif capital letters in the upper left corner.

PRODUCT SPECIFICATIONS

Trex® Decking & Fascia






PROFILE	DESCRIPTION	ITEM #	COLORS	
1" Square-Edge Board <i>Actual dimensions:</i> Signature .94 in x 5.5 in x 20 ft (24 mm x 140 mm x 609 cm) Transcend & Enhance: .94 in x 5.5 in x 16 ft / 20 ft (24 mm x 140 mm x 487 cm / 609 cm) Select: .82 in x 5.5 in x 16 ft / 20 ft (20 mm x 140 mm x 487 cm / 609 cm)	 1 x 6 x 20' Signature	XX010620NS01	WY, OC	
	 1 x 6 x 16' 1 x 6 x 20' Transcend Lineage	XX010616TLS01 XX010620TLS01	RN, CL, BC, JA, IM	
	 1 x 6 x 16' 1 x 6 x 20' Transcend Tropicals	XX010616TS01 XX010620TS01	TT, HG, SR, LR, IM	
	 1 x 6 x 16' 1 x 6 x 20' Transcend Earth Tones	XX010616T2S01 XX010620T2S01	RS	
	 7/8 x 6 x 16' 7/8 x 6 x 20' Select	XX010616SS01 XX010620SS01	PG, SD	
	 1 x 6 x 16' 1 x 6 x 20' Enhance Naturals	XX010616E2S01 XX010620E2S01	FW, RH, TS, CB	
	 1 x 6 x 16' 1 x 6 x 20' Enhance Basics	XX010616E2S01 XX010620E2S01	CS, BD, SD	
	1" Grooved-Edge Board <i>Actual dimensions:</i> Signature, Transcend & Enhance: .94 in x 5.5 in x 12 ft / 16 ft / 20 ft (24 mm x 140 mm x 365 cm / 487 cm / 609 cm) Select: .82 in x 5.5 in x 12 ft / 16 ft / 20 ft (20 mm x 140 mm x 365 cm / 487 cm / 609 cm)	 1 x 6 x 12' 1 x 6 x 16' 1 x 6 x 20' Signature	XX010612NG01 XX010616NG01 XX010620NG01	WY, OC
		 1 x 6 x 12' 1 x 6 x 16' 1 x 6 x 20' Transcend Lineage	XX010612TLG01 XX010616TLG01 XX010620TLG01	RN, CL, BC, JA, IM
		 1 x 6 x 12' 1 x 6 x 16' 1 x 6 x 20' Transcend Tropicals	XX010612TG01 XX010616TG01 XX010620TG01	TT, HG, SR, LR, IM
 1 x 6 x 12' 1 x 6 x 16' 1 x 6 x 20' Transcend Earth Tones		XX010612T2G01 XX010616T2G01 XX010620T2G01	RS	
 7/8 x 6 x 12' 7/8 x 6 x 16' 7/8 x 6 x 20' Select		XX010612SG01 XX010616SG01 XX010620SG01	PG, SD	
 1 x 6 x 12' 1 x 6 x 16' 1 x 6 x 20' Enhance Naturals		XX010612E2G01 XX010616E2G01 XX010620E2G01	FW, RH, TS, CB	
 1 x 6 x 12' 1 x 6 x 16' 1 x 6 x 20' Enhance Basics		XX010612E2G01 XX010616E2G01 XX010620E2G01	CS, BD, SD	
1" x 8" Fascia Board <i>Actual dimensions:</i> Signature, Transcend, Enhance, Select, Universal White: .56 in x 7.25 in x 12 ft (14 mm x 184 mm x 365 cm)		 1 x 8 x 12' Signature	XX010812NS01	WY, OC
		 1 x 8 x 12' Transcend Lineage	XX010812TLS01	RN, CL, BC, JA, IM
		 1 x 8 x 12' Transcend Tropicals	XX010812TS01	TT, HG, SR, LR, IM
	 1 x 8 x 12' Transcend Earth Tones	XX010812T2S01	RS	
	 1 x 8 x 12' Select	XX010812SS01	PG, SD	
	 1 x 8 x 12' Enhance Naturals	XX010812E2S01	FW, RH, TS, CB	
	 1 x 8 x 12' Enhance Basics	XX010812E2S01	CS, BD, SD	
1" x 12" Fascia Board <i>Actual dimensions:</i> Signature, Transcend, Enhance, Select, Universal White: .56 in x 11.375 in x 12 ft (14 mm x 288 mm x 365 cm)	 1 x 12 x 12' Signature	XX011212NS01	WY, OC	
	 1 x 12 x 12' Transcend Lineage	XX011212TLS01	RN, CL, BC, JA, IM	
	 1 x 12 x 12' Transcend Tropicals	XX011212TS01	TT, HG, SR, LR, IM	
	 1 x 12 x 12' Transcend Earth Tones	XX011212T2S01	RS	
	 1 x 12 x 12' Select	XX011212SS01	PG, SD	
	 1 x 12 x 12' Enhance Naturals	XX011212E2S01	FW, RH, TS, CB	
	 1 x 12 x 12' Enhance Basics	XX011212E2S01	CS, BD, SD	
2" Square-Edge Board <i>Actual dimensions:</i> Transcend 2x4: 1.3 in x 3.4 in x 16 ft (33 mm x 86 mm x 487 cm) Transcend & Select 2x6: 1.3 in x 5.5 in x 12 ft / 16 ft / 20 ft (33 mm x 140 mm x 365 cm / 487 cm / 609 cm)	 2 x 4 x 16' Transcend Tropicals	XX020416TS01	TT, HG, SR, LR, IM	
	 2 x 6 x 12' 2 x 6 x 16' 2 x 6 x 20' Transcend Tropicals	XX020612TS01 XX020616TS01 XX020620TS01	TT, HG, SR, LR, IM	
	 2 x 6 x 12' 2 x 6 x 16' 2 x 6 x 20' Select	XX020612SS01 XX020616SS01 XX020620SS01	PG, SD	

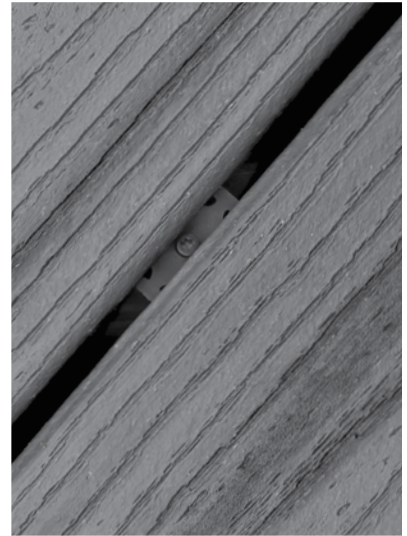
RN Rainier	WY Whidbey	LR Lava Rock	TS Toasted Sand	WW Universal White
CL Carmel	OC Ocracoke	RS Rope Swing	CB Coastal Bluff	
BC Biscayne	TT Tiki Torch	PG Pebble Grey	CS Clam Shell	
JA Jasper	HG Havana Gold	FW Foggy Wharf	BD Beach Dune	
IM Island Mist	SR Spiced Rum	RH Rocky Harbor	SD Saddle	

XX = COLOR PREFIX

**Island Mist Tropicals will be discontinued on 12.31.2024 and replaced by Transcend Lineage Island Mist.*

Trex Hideaway® Hidden Fastening System

COMPONENT		DESCRIPTION	ITEM #
Universal Fastener (glass-filled nylon)		50 sq. ft. box 500 sq. ft. bucket	UNIVCONCLIP DA00002
Universal Starter Clip		400 sq. ft (37 sq. m) bag	UNIVSTARTCLIP
Butt Joint Clip		Butt Joint Clip (14/pack)	BJC14PK
Router Bit		Router Bit	ROUTBIT
Universal Fastener Installation Tool		Universal Fastener Installation Tool	ONESTEPTL



XX = COLOR PREFIX

WT Classic White

BZ Bronze

BK Charcoal Black

Trex® Color-Match Deck Screws

COMPONENT	ITEM #	COLORS
Trex Color-Match 2-1/2" 75 Count	TCM25BC75	BC
	TCM25BD75	JA & BD
	TCM25CB75	CB
	TCM25CL75	RS & CL
	TCM25CS75	CS
	TCM25FW75	FW & RN
	TCM25IM75	IM
	TCM25LR75	LR
	TCM25PG75	PG & WY
	TCM25RH75	RH
	TCM25SD75	SD & OC
	TCM25SR75	SR
	TCM25TS75	TS & HG
	TCM25TT75	TT



Trex Color-Match 2-1/2" 350 Count	TCM25BD350	JA & BD
	TCM25BC350	BC
	TCM25PG350	PG & WY
	TCM25CL350	RS & CL
	TCM25SD350	SD & OC
	TCM25TS350	TS & HG
	TCM25CB350	CB
	TCM25CS350	CS
	TCM25FW350	FW & RN
	TCM25IM350	IM
	TCM25LR350	LR
	TCM25SR350	SR
	TCM25TT350	TT
	TCM25RH350	RH



COMPONENT	ITEM #	COLORS
Trex Color-Match 2-1/2" 1400 Count	TCM25BD1400	JA & BD
	TCM25BC1400	BC
	TCM25PG1400	PG & WY
	TCM25CL1400	RS & CL
	TCM25SD1400	SD & OC
	TCM25TS1400	TS & HG
	TCM25CB1400	CB
	TCM25CS1400	CS
	TCM25FW1400	FW & RN
	TCM25IM1400	IM
	TCM25LR1400	LR
	TCM25SR1400	SR
	TCM25TT1400	TT
	TCM25RH1400	RH



Trex® Color-Match Fascia Screws

COMPONENT	ITEM #	COLORS
Trex Color-Match Fascia 1-3/4" 75 Count	TCMF175BD75	JA & BD
	TCMF175BC75	BC
	TCMF175PG75	PG & WY
	TCMF175CL75	RS & CL
	TCMF175SD75	SD & OC
	TCMF175TS75	TS & HG
	TCMF175CB75	CB
	TCMF175CS75	CS
	TCMF175FW75	FW & RN
	TCMF175IM75	IM
	TCMF175LR75	LR
	TCMF175SR75	SR
	TCMF175TT75	TT
	TCMF175WW75	WW
	TCMF175RH75	RH



Trex® Plug Screws - Fascia and Decking

COMPONENT	ITEM #	COLOR
Trex Plug System Fascia 1-3/4" 75 Count	TPSF175BK75	BLACK
Trex Enhance® Decking Plug Screws 2" 75 Count	TENDPLGS2BK75	BLACK
Trex Enhance® Decking Plug Screws 2" 400 Count	TENDPLGS2BK400	BLACK





Trex® Decking Plug Screws



COMPONENT	ITEM #	COLOR
Trex Decking Plug System 2-1/2" 75 & 350 Count	TDPS25BK75 TDPS25BK350	BLACK




Trex® Decking Plugs

COMPONENT	ITEM #	COLORS	
Trex Deck Plugs 80 Count 	TDPLGJA80	JA	
	TDPLGBC80	BC	
	TDPLGPG80	PG	
	TDPLGSD80	SD	
	TDPLGHG80	HG	
	TDPLGRN80	RN	
	TDPLGCL80	CL	
	TDPLGIM80	IM	
	TDPLGLR80	LR	
	TDPLGSR80	SR	
	TDPLGRS80	RS	
	TDPLGTT80	TT	
	Trex Deck Plugs 400 Count 	TDPLGJA400	JA
		TDPLGBC400	BC
TDPLGPG400		PG	
TDPLGSD400		SD	
TDPLGHG400		HG	
TDPLGRN400		RN	
TDPLGCL400		CL	
TDPLGIM400		IM	
TDPLGLR400		LR	
TDPLGSR400		SR	
TDPLGRS400		RS	
TDPLGTT400		TT	




Trex Enhance® Decking/Fascia Plugs

COMPONENT	ITEM #	COLORS
Trex Enhance® Decking/Fascia Plugs 80 Count 	TPSDFBD80	BD
	TPSDFCB80	CB
	TPSDFCS80	CS
	TPSDFFW80	FW
	TPSDFRH80	RH
	TPSDFSDEN80	SD
	TPSDFTS80	TS
Trex Enhance® Decking/Fascia Plugs 416 Count 	TPSDFBD416	BD
	TPSDFCB416	CB
	TPSDFCS416	CS
	TPSDFFW416	FW
	TPSDFRH416	RH
	TPSDFSDEN416	SD
	TPSDFTS416	TS

Trex® Fascia Plugs

COMPONENT	ITEM #	COLORS
Trex Fascia Plugs 80 Count 	TPSFBC80	BC
	TPSFCL80	CL
	TPSFHG80	HG
	TPSFIM80	IM
	TPSFJA80	JA
	TPSFLR80	LR
	TPSFPG80	PG
	TPSFRN80	RN
	TPSFRS80	RS
	TPSFDSL80	SD
	TPSFSR80	SR
	TPSFTT80	TT
	TPSFWW80	WW

Trex® Decking/Fascia System Tools

COMPONENT	ITEM #
Trex Color-Match Fascia Counterbore Tool Kit with Drive Bits 	TCMFBCKIT
Trex Plug System Fascia Counterbore Tool Kit with Depth Setters 	TPSFBCKIT
Trex Plug System Enhance Decking Tool Kit with Depth Setters 	TPSENCBKIT

Trex® Decking System Tools

COMPONENT	ITEM #
HexStix Bit 2 Pack 	THB2PK
Decking DS 1 Pack 	TDDS1PK

XX = COLOR PREFIX

RN Rainier	WY Whidbey	HG Havana Gold	PG Pebble Grey	TS Toasted Sand	WW Woodgrain White
CL Carmel	OC Ocracoke	SR Spiced Rum	SD Saddle	CB Coastal Bluff	
BC Biscayne	IM Island Mist	LR Lava Rock	FW Foggy Wharf	CS Clam Shell	
JA Jasper	TT Tiki Torch	RS Rope Swing	RH Rocky Harbor	BD Beach Dune	

TREX BRANDED RECOMMENDED FASTENERS

If any condition occurs which is attributable to the use of non-recommended fasteners, such condition shall not be covered under the Trex Limited Warranty.

		Signature®	Transcend®	Enhance®	Select®
RECOMMENDED FASTENERS	DECKING-HIDDEN FASTENERS				
	Trex Hideaway® Universal Hidden Fastener	X	X	X	X
	Trex Hideaway® Deck Plug* *Ensure to use correct Trex Hideaway plug system for designated Trex Decking Profile		X	X	X
	DECKING-COMPOSITE SCREWS				
	Trex Hideaway® Color Match Decking Composite Screw	X	X	X	X

		Signature	Transcend	Enhance	Select
RECOMMENDED FASTENERS	FASCIA**				
	Trex Hideaway® Fascia Plug* *Ensure to use correct Trex Hideaway plug system for designated Trex Fascia Profile		X	X	X
	Trex Hideaway® Color Match Fascia Composite Screw	X	X	X	X

ALL OTHER RECOMMENDED FASTENERS

If any condition occurs which is attributable to the use of non-recommended fasteners, such condition shall not be covered under the Trex Limited Warranty.

		Signature®	Transcend®	Enhance®	Select®
RECOMMENDED FASTENERS	DECKING-HIDDEN FASTENERS				
	Tiger Claw® TC-G Hidden Fastener	X	X	X	X
	Cortex® Concealed Fasteners**	X	X		X
	Starborn® Pro Plug® System for Composite Epoxy Coated & Stainless (2" are recommended for sleeper & roof top applications only)	X	X		X
	Simpson Strong-Tie® Deck Drive™ DCU Composite Screw & DCU Plugs (Handdrive only & must also use Auto-Set Drive Bit)		X		X
	DECKING-COMPOSITE SCREWS				
	FastenMaster® TrapEase 3 Ultimate Composite Deck Screw	X	X	X	X
	Simpson Strong-Tie® Deck Drive™ DCU Composite Screw (Collated & Handdrive)	X	X	X	X
	Quik Drive® Composi-Lok Deck Screw		X	X	X
	SplitStop™ Titan III Composite Screw		X	X	X
	Starborn® Cap-Tor® xd Epoxy Coated & Stainless (available collated for Muro CH7390 Driver) (2" are approved for sleeper & roof top applications only)	X	X	X	X
	Screw Products C-Deck Exterior Star Drive Composite Deck Screw	X	X	X	X
	Muro® T-Screw Torx Stainless Steel Screw - Collated (TX0212SFD or M-TX0300SEP)		X	X	X
	Kameleon™ GRKFasteners® Composite Deck screws				X

		Signature	Transcend	Enhance	Select
RECOMMENDED FASTENERS	FASCIA**				
	Cortex® Hidden Fastening System for Fascia		X	X	X
	Starborn® Pro Plug® System for Fascia - Epoxy & Stainless		X	X	X
	Starborn® Deckfast® Fascia System - Epoxy Coated* and Headcote® Stainless	X	X	X	X
	SplitStop™ Fascia Screws		X	X	X
	Simpson Strong-Tie® Fascia Board Screw		X	X	X
FastenMaster® TrapEase® Fascia Fastener	X	X	X	X	

IMPORTANT ADDITIONAL INFORMATION

• FOR TREX ENHANCE PROFILES, THE ONLY TREX RECOMMENDED PLUG BASED HIDDEN FASTENERS ARE TREX HIDEAWAY DECK PLUGS; DO NOT USE ANY OTHER PLUG BASED HIDDEN FASTENERS WITH TREX ENHANCE PROFILES

• Trex requires the use of two screws per joist.

OTHER NOTES:

- » All recommended color-matching face fastener screws are designed to be installed flush with decking surface. DO NOT countersink screws.
- » Use recommended stainless steel screws in any areas near bodies of saltwater.
- » 2-3/4" or 3" screws can be used with Trex 2x6 product.
- » 2-1/2" that are supplied with **plug-based fasteners** are allowed to be used with Trex 2x6 product.
- » Muro T-Screw M-TX0300SEP listed above is recommended for 2x6 decking (can also be used with standard 1" (decking as listed above). This screw is collated and can be used with Muro Auto Feed Screw Gun FDVL41 Speed Driver. **(NOTE: THIS IS NOT A COLOR-MATCH SCREW.)**
- » All decking products are recommended for use with Trex Hideaway Hidden Fasteners, thus all decking products can be routed according to our instructions.
- » Simpson Strong-Tie Deck Drive DCU Composite Screw in collated versions works with Quik Drive gun.
- » Fascia system screws listed above **can only be used with composite fascia profiles**, and cannot be used with standard thickness decking boards used as fascia. Use stainless steel screws near water applications.
- ** Not for use with sleeper systems. Refer to FastenMaster® literature for more information.

Minimum Fastener Size		
SCREWS		
Profile	Length	No.
1x6	2-1/2" or 2-3/4"	#8, #10
2x6	2-3/4" or 3"	#8, #10

FastenMaster® TrapEase® and Cortex® are registered trademarks of OMG, Inc.

Strong-Tie Quik Drive® is a registered trademark and Composi-Lok™ is a trademark of Simpson Strong-Tie Company, Inc.

Starborn DeckFast® Cap-Tor®, Pro Plug®, and Headcote® are registered trademarks of Starborn Industries Inc.

C-Deck Exterior Star Deck Composite Deck Screw is a product of Screw Products Inc.

SplitStop™ is a trademark of Titan Metal Werks, LLC.

Kameleon is a trademark and GRKFasteners® is a registered trademark of Illinois Tool Works, Inc.

Muro® is a registered trademark of Muro Corporation.

TREX FASCIA INSTALLATION RECOMMENDATIONS

General Notes:

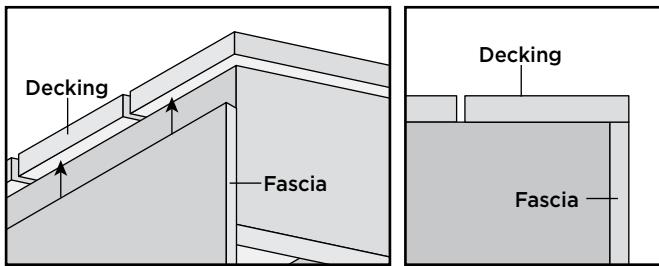
- » *Trex Fascia utilized around the perimeter of a deck must be gapped with the same requirements as Trex decking to allow for expansion/contraction of the fascia.*
- » *When using 2" x 8" framing, attach fascia using 2 fascia recommended fasteners; when using 2" x 10" or larger framing, attach fascia using 3 fascia recommended fasteners. Top screw should be placed 1" from the top of the rim joist, the second screw in the center of the rim joist, and the third screw 1" from the bottom of the rim joist.*
- » *Refer to page 14-15 for fascia recommended fascia fasteners.*

WHEN USING RECOMMENDED FASCIA FASTENERS:

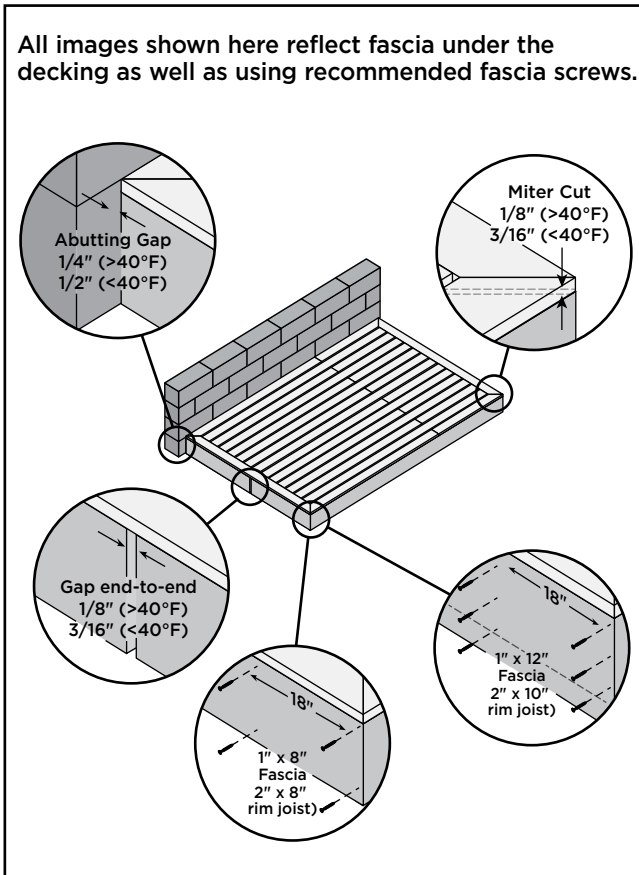
- » Recommended fascia fasteners can only be used with 1x8 or 1x12 fascia product and cannot be used with decking products that are being used as fascia trim or stair risers.

Method 1: Fascia Under Decking

(Note: reflects 2x8 fascia installation & square-edge decking).



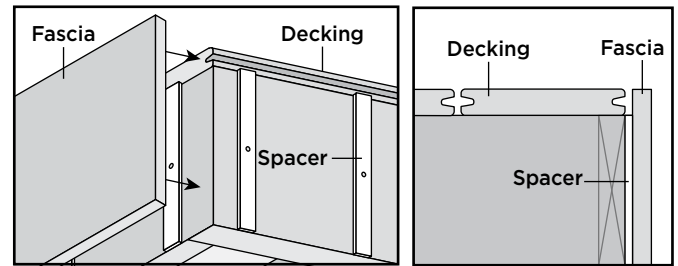
Install fascia **UNDER** decking edges/ends. This will optimize the aesthetics and performance of the installation.



Method 2: Fascia Beside Decking

(Note: spacers below reflect 2x8 fascia installation)

When using this method, attachment of spacers to framing may vary depending on the fascia size. If installing 1x12 fascia use two screws spaced properly apart so as to not interfere when installing fascia screws.



Install 3/16" to 1/4" thick x minimum 1" wide exterior grade spacers (these should be cut the same length as the rim joist), and spaced 9" on center. Install fascia screws as stated below at spacer locations (ensure that spacer screw does not interfere with fascia screw).

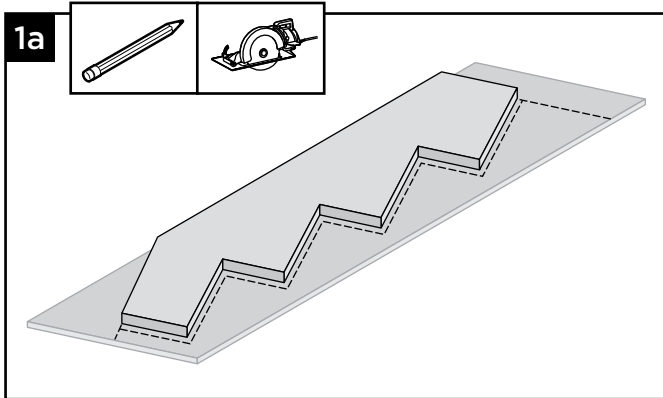
TIP: Prior to installing spacers, paint ends black so as these are not as visible (especially when using contrasting colors).

TREX FASCIA INSTALLATION RECOMMENDATIONS

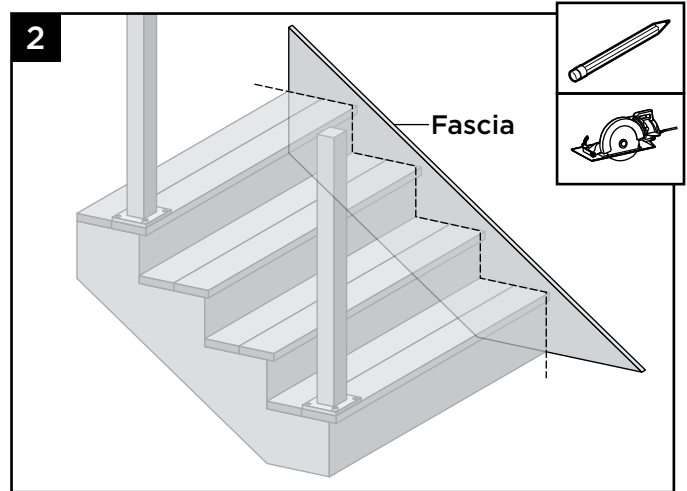
Using Fascia to Box in Stairs

Cutting Fascia

Method 1: Stair Stringer as Template

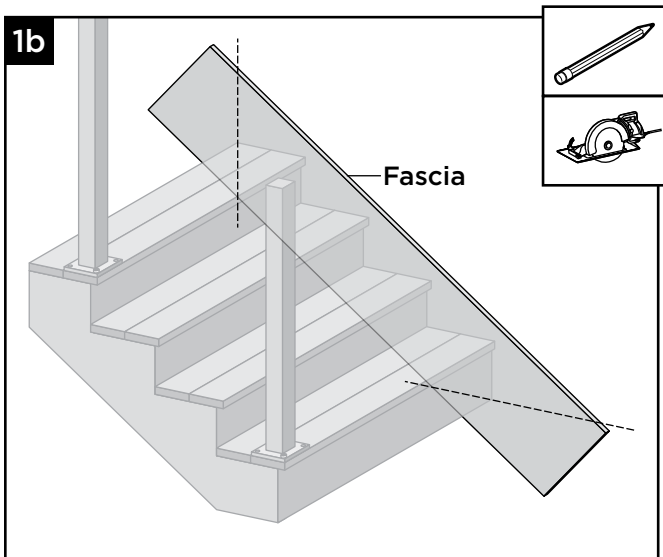


1a. Using a stair stringer as a template, lay this on the fascia and trace out pattern for stair stringer, ensuring you also factor in stair tread/deck board thickness and riser thickness before cutting. This option is shown above. Proceed to step 3.



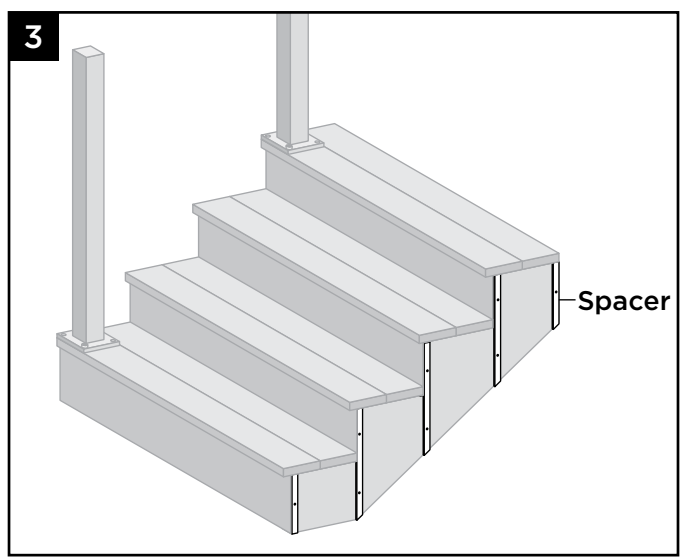
2b. Once completed place fascia in proper location and trace around stair treads and risers and then cut to fit.

Method 2: Fascia Beside Decking



1b. Another option is cutting fascia plumb to the rim joist at the top and flush at the bottom of the stairs as shown.

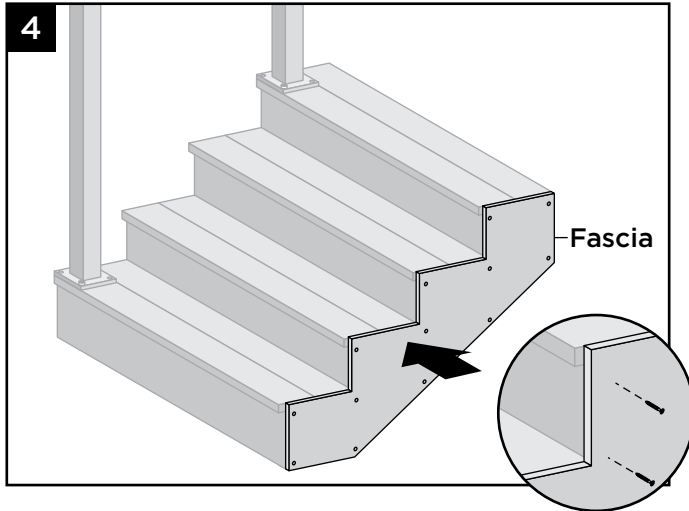
Installing Fascia To Stringers



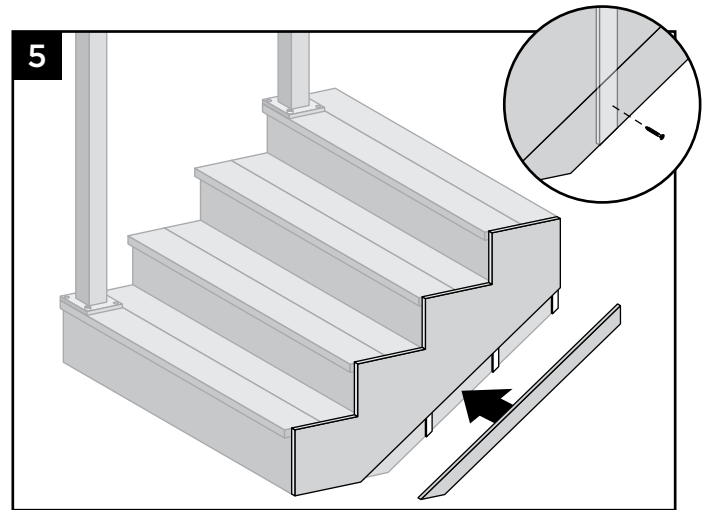
3. Spacers should be installed like that of standard decking, ensuring these are spaced 9" apart (see previous page for detailed information on all requirements for spacers).

TREX FASCIA INSTALLATION RECOMMENDATIONS

Using Fascia to Box in Stairs/CONTINUED



4. Install appropriate number of recommended fasteners as per pattern shown above, as overall size of fascia after being cut may be smaller than that of the standard size, thus the number of screws used every 18" may be different in different areas. Ensure screws are installed 1" from edge of stringer (do not install screws in the end of the stair tread).

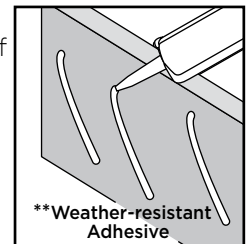


5. If the fascia is not wide enough to cover the stair stringer, a secondary piece of fascia may need to be cut accordingly and installed. Install using one recommended fascia fastener on or near the spacer.

WHEN USING DECK BOARDS AND COMPOSITE DECKING FASTENERS FOR FASCIA

While Trex prefers the previous methods of attachment for fascia applications, as these are the very best options, there are also other recommendations that can be followed for deck boards being used for fascia. Use two Trex recommended composite decking screws every 12". **NOTE THAT TREX RECOMMENDED FASCIA RECOMMENDED FASTENERS CANNOT BE USED IN THIS APPLICATION. IN ADDITION ALWAYS refer to manufacturer instructions to ensure that recommended screws can be used for fascia applications.** The top screw should be placed 1" from the top of the rim joist, and the second screw 1" from the bottom of the rim joist.

****IN ADDITION,** also use a weather-resistant, construction-grade adhesive (adhesives that work with wood will work with Trex products) as a **SECONDARY** fastener when attaching deck boards used for fascia. **Remember to wipe away any excess before it dries or is allowed to drip onto other Trex surfaces.**



All images shown here reflect deck boards used for fascia applications, and using recommended composite fasteners for fascia applications.

NOTE: Adhesive is also required as stated within instructions.

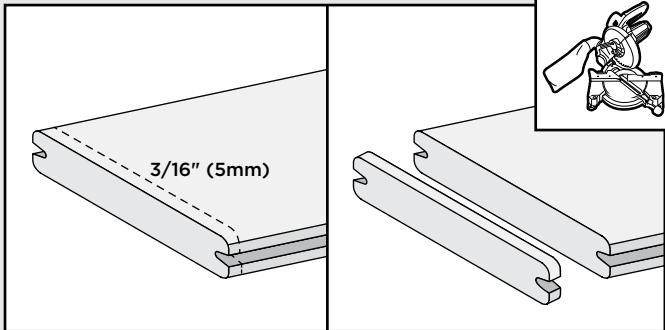
NOTE: English measurements are shown. Convert to metric measurements if necessary.

Framing and Fastening Tips

Fastening Tip for Trex® Decking

NOTE: When using pneumatic or battery-operated equipment, adjust the pressure so that you only shoot the head of the screw to be flush with the board's cap. **DO NOT** shoot the fastener head completely through the shell.

Clean Cut Boards



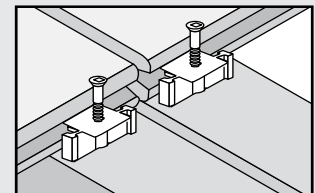
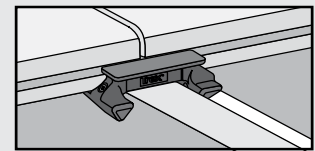
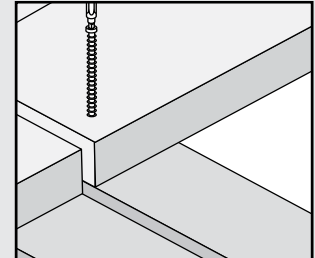
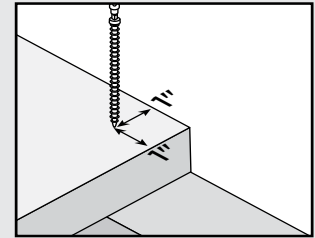
It is required that boards be clean cut on both ends a minimum of 3/16" (5mm). Ensure board ends are cut square.

Composite decking is a great alternative to traditional wood decking. When building your deck and railing, it is recommended that code-approved structural material be used as the framing and joists. Check your local building codes for restrictions. Trex decking cannot be used for structural applications. **Do not attach Trex decking directly to any solid surface or watertight system.**

In most cases, install fasteners at a 90° angle (perpendicular to the board).

At board ends on the deck's edge, you can install screws placed perpendicularly at the recommended distance, at minimum of 1" (25mm) from the board end and edge, without splitting the board.

For butt joints, where boards meet over a single joist, use the Trex Hideaway Butt Joint Clip. Optional method is to add a 2" x 4" "nailer" board at the joist and use two Trex Hideaway Universal Hidden Fasteners. This allows screw-in at 90 degrees and allows fasteners to be used at end of each board.



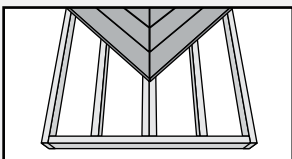
Dock Applications

As long as dock is in intermittent contact with water, i.e., splashing and **not in continuous direct** contact with water, the durability of the Trex decking should not be affected.

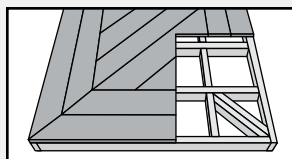
For docks, a 3/8" (10mm) width-to-width gap between boards is recommended to allow for increased drainage due to increased contact with water. In addition, stainless steel fasteners should be used. If there is a great deal of contact between the dock and gasoline, grounding of the dock is also recommended.

Special Patterns

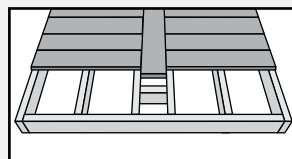
When planning a unique pattern, you will need to adjust the framing to support the surface pattern. Many decks are designed to take advantage of angles, as shown below.



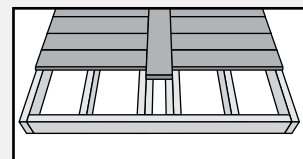
Herringbone Pattern



Picture Frame Pattern



Breaker Board
Single Joist

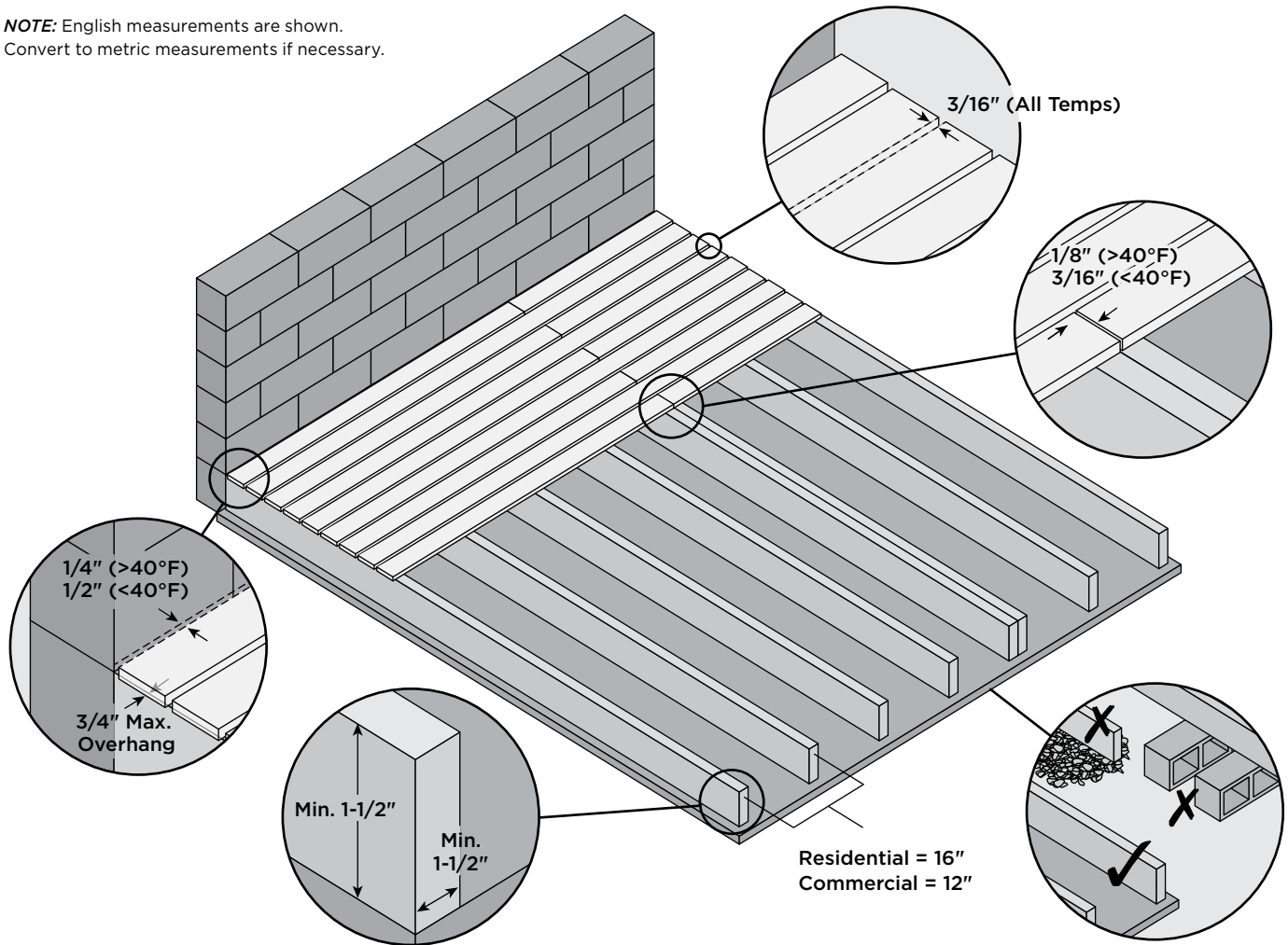


Breaker Board
Double Joist

Rooftop and Sleeper Deck Systems - Pressure-Treated Framing

A sleeper system is a substructure between a solid surface and Trex decking. Drainage, access, and airflow are critical. Water must be able to flow through and away from the deck. For repairs and removal of debris, joist system access may be necessary.

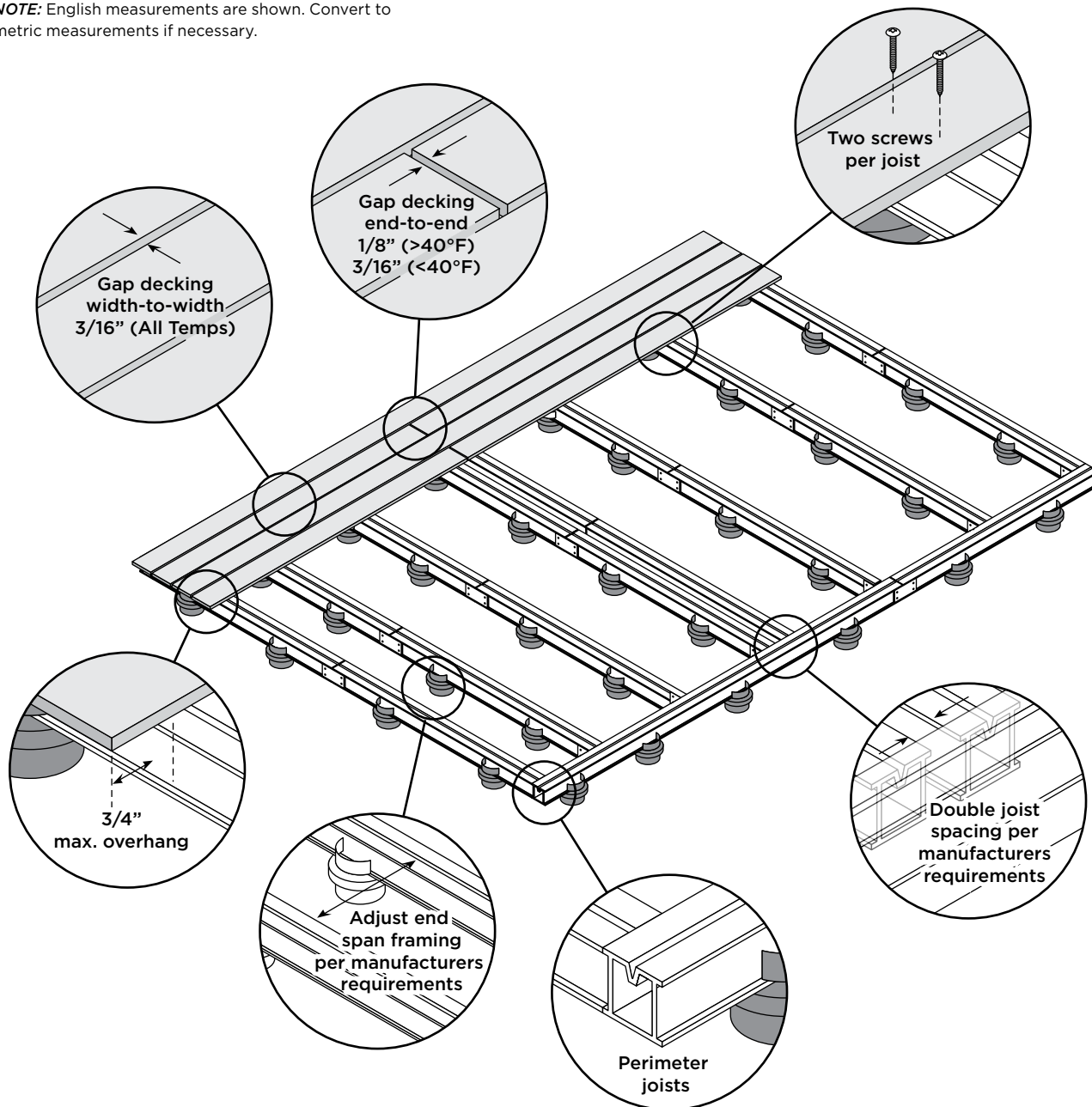
NOTE: English measurements are shown.
Convert to metric measurements if necessary.



- » It is recommended that building-code approved structural material be used as the supports.
- » This system should not be allowed to float. It must be attached in a manner that secures the framing/system.
- » The sleeper system must be level and have no uneven undulations. Any uneven areas of the substructure will transfer to the Trex decking, resulting in uneven decking.
- » Trex, when used with a sleeper system, must be supported below its entire length. If using in a roofing application, the supports must run the direction of the pitch of the roof to facilitate proper drainage. Sleeper should be placed perpendicular to the deck board orientation.
- » For commercial applications, consult a local building code official for specific requirements.
- » If installing decking at an angle, decrease spans 4" (100 mm) for each of the above. (12" (305 mm) for residential and 8" (204 mm) for commercial.)
- » For sleeper systems where small debris (pine needles, leaves, sand, dirt) can accumulate either between or under deck boards, a minimum of 1-1/2" (38mm) height is allowable. Trex recommends the use of Trex Universal Hidden Fasteners or 2" Starborn Cap-Tor® xd - Epoxy Coated screws. **NOTE:** Trex recommended composite decking screws are too long when using 1-1/2" (38 mm) height as this will penetrate through the sleeper.
- » For areas with the potential for debris buildup, a minimum 3-1/2" (89 mm) or greater height is recommended to allow the debris to be removed along with the use of either Trex Universal Hidden fasteners or any Trex recommended screws.
- » **Always** consult your local building code authority for proper details on roof and railing installation to the roof structure if required.
- » Any deviation from these recommendations could result in voiding of the Trex warranty.

Metal Framing Requirements and Gapping

NOTE: English measurements are shown. Convert to metric measurements if necessary.



NOTES:

- » When using a metal framing system follow manufacturer's instructions for proper installation.
- » When using screws to attach decking to framing, use two screws per every joist.

Compatible Fastener Materials for use with Trex decking

Substrate Material	Carbon Steel with Corrosion-Resistant Coating	Stainless Steel: 410 Series or 1.4003 / 1.4006	Stainless Steel: 300 Series or 1.4301 / 1.4401 / 1.4567
Steel	No	Yes*	No

*Trex Elevations Universal Hidden Fastener (SKU-ELVUNICLIP) are recommended.

- » If using a fastener that is material compatible with substrate but is not listed as a recommended Trex fastener, the decking material will need to be predrilled before use.
- » If any condition occurs which is attributable to the use of non-recommended fasteners, such condition shall not be covered under the Trex Limited Warranty.

NOTE: Construction methods are always improving. Please refer to www.trex.com for the most up-to-date installation requirements.

Code Compliance

Joist Spanning for Decking

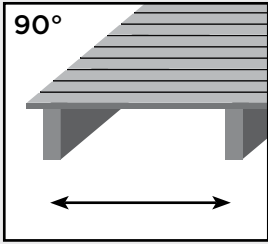
Trex decking meets all applicable national model building codes. The joists must be spaced on center according to the chart below. Be sure that joists are level and plumb. Trex decking must span at least three joists. **For heavy items such as hot tubs, planters, etc., consult a local building engineer or inspector for span recommendations.** If you want to minimize the appearance of joists through the spaces between boards, paint the top of your joists black.

Code Listings

Trex complies with major model building codes and has been evaluated by the International Code Council evaluation service.

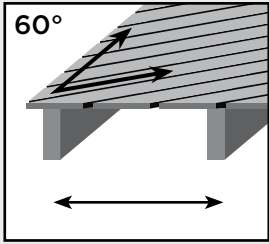
For a Safety Data Sheets (SDS), please visit www.trex.com.

Adjust Joist Spanning to Accommodate Angled Decking Patterns



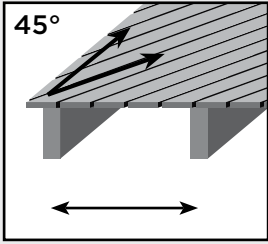
90°

Perpendicular to joists. See chart below.



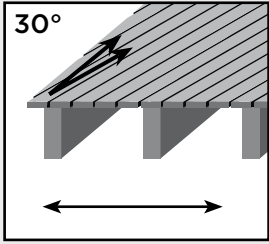
60°

At a 60° angle, maximum joist spanning is 2" (51 mm) less than listed in the chart below.



45°

At a 45° angle, maximum joist spanning is 4" (102 mm) less than listed in the chart below.



30°

At a 30° angle, maximum joist spanning is 1/2 of the distance listed in the chart below.

Trex Decking Span Chart (on center)		
	Residential Decks, Light Duty Docks, Residential/Day Care Playground	Commercial Decks, Boardwalks and Marinas
Decking Loading	100 psf = 4.8 kN/m ²	100 psf = 4.8 kN/m ² 200 psf = 9.5 kN/m ²
1" (25 mm) Boards, and .875" (22 mm) Select Boards	16" (406 mm)	16" (406 mm) 12" (305 mm)
2" x 6" (51 mm x 152 mm) Boards	24" (610 mm)	24" (610 mm) 16" (406 mm)

Trex Railing Span Chart	
Maximum Railing Span for all Applications	
Transcend, Select, and Signature railing	96" (2438 mm) clear span for Trex Signature and Transcend, 72" (1829 mm) clear span for Select

NOTE: Construction methods are always improving. Please refer to www.trex.com for the most up-to-date installation requirements.

Gapping and Overhang

You must gap Trex decking both end-to-end and width-to-width. Gapping is necessary for drainage and the slight thermal expansion and contraction of Trex decking boards. Gapping also allows for shrinkage of the wood joist system.

- » **ALWAYS** follow Trex gapping guidelines.
- » Maximum allowable perpendicular overhang for all Trex decking is 3/4" (19 mm).
- » All decks require air circulation to keep them dry and looking good. To improve air flow, leave openings under the decking or increase gapping to 3/8" (10 mm).

Width-to-Width Gap

3/16" (5 mm)

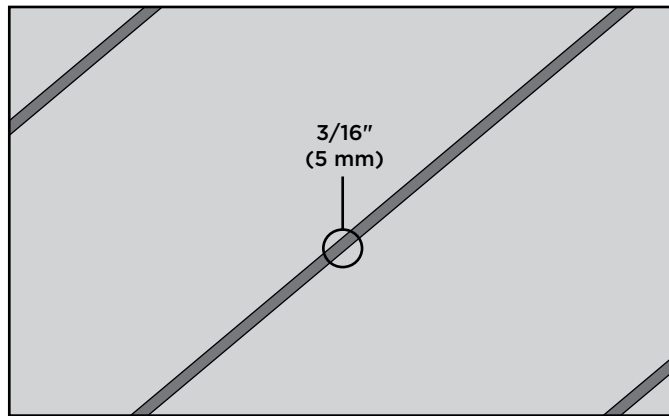
End-to-End/End-to-Width and Abutting Gap

	End-to-End/ End-to-Width	Abutting Gap
Above 40°F* (4.5°C)*	1/8" (3 mm)	1/4" (6 mm)
Below 40°F* (4.5°C)*	3/16" (5 mm)	1/2" (13 mm)

*Temperature at installation.

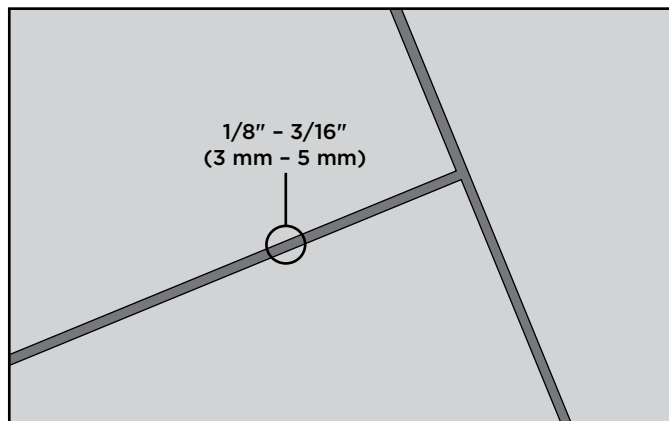
When you use the recommended hidden fasteners, the placement of the hidden fastener establishes the designated gap size.

When installing fascia, gapping guidelines must be followed.



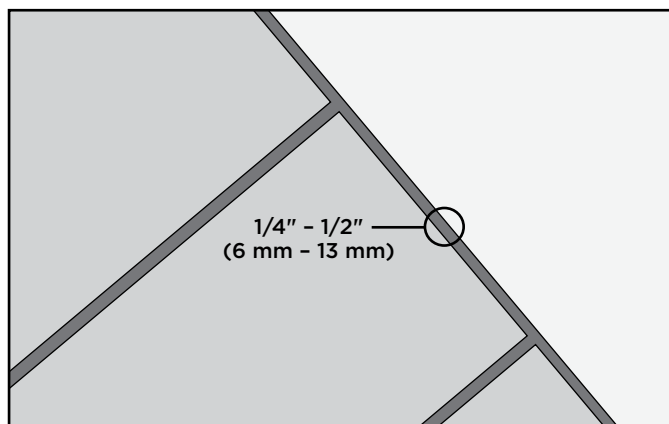
Width-to-Width

The minimum required width-to-width gapping is 3/16" (5 mm). This is allowed for both hot and cold weather installations. For docks and heavily wooded areas, Trex recommends a 3/8" (10 mm) gap. No gapping should ever exceed 1/2" (13 mm).



End-to-End/End-to-Width

Gap Trex decking end-to-end, based upon the temperature at installation. See chart at left. For fastening tips, see page 19.

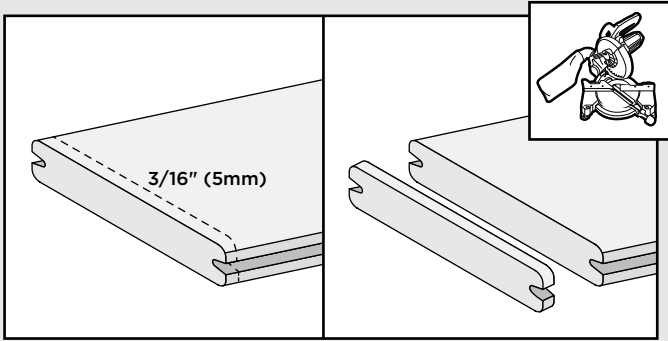


Abutting Solid Objects

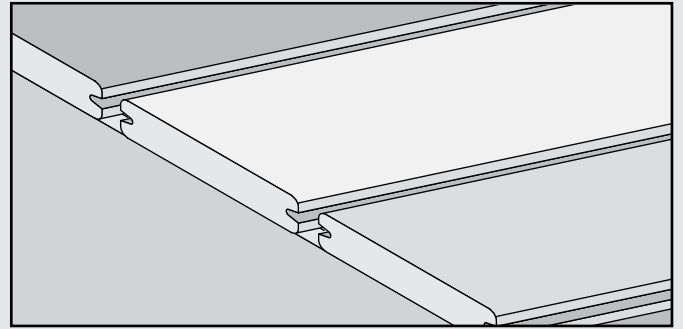
When decking is abutting a wall, you must also gap it 1/4"-1/2" (6-13 mm) depending on the temperature at installation. See chart to the left.

Important Notes Before Installing Trex® Decking

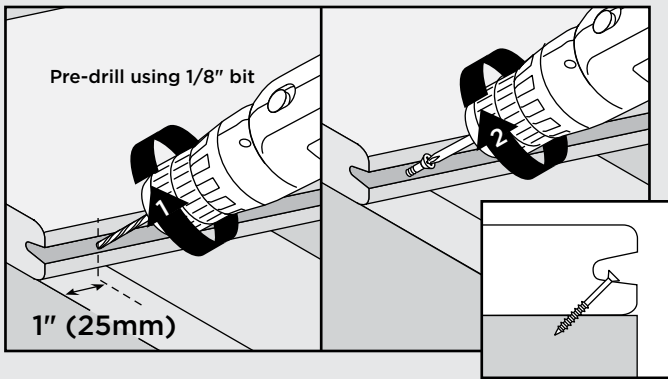
It is required to clean cut boards on both ends a minimum 3/16" (5mm).



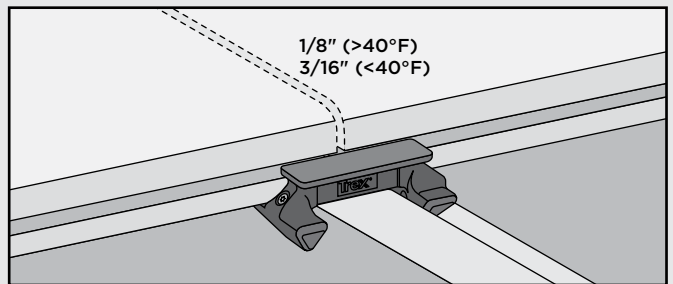
To ensure an appealing mix of color tones, mix and match all boards prior to installation.



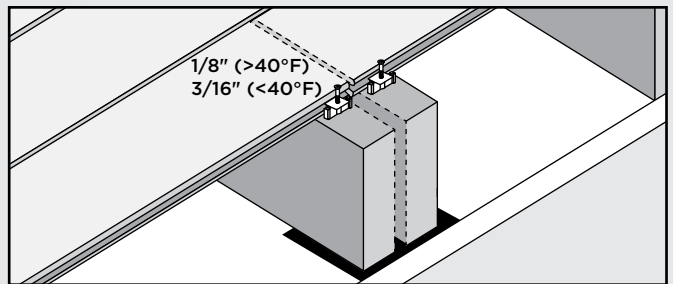
If installing in localities prone to large temperature shifts within a 24-hour period, and installing Trex Universal Hidden Fasteners, pre-drill and toenail a screw (use same screw used in hidden fasteners) at an angle in groove at both ends (at least 1" (25mm) from board end) and center of each board.



Abutted Board Attachment Wood Framing- Option 1



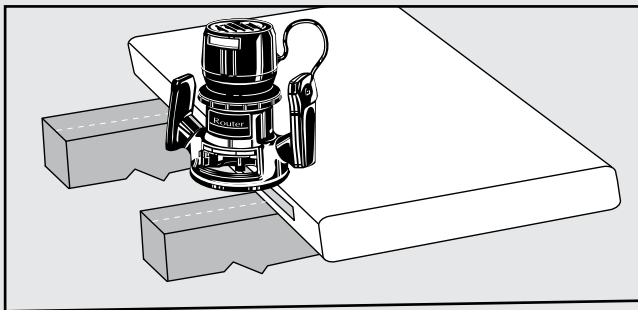
Abutted Board Attachment Wood Framing- Option 2



NOTE: Optional - Gap joist framing 1/8" - 1/4" to allow for water drainage. Refer to local building code recommendations to determine if gapping between joists to allow for additional airflow is required.

Routing Square Edge Boards for Trex Hideaway Hidden Fasteners

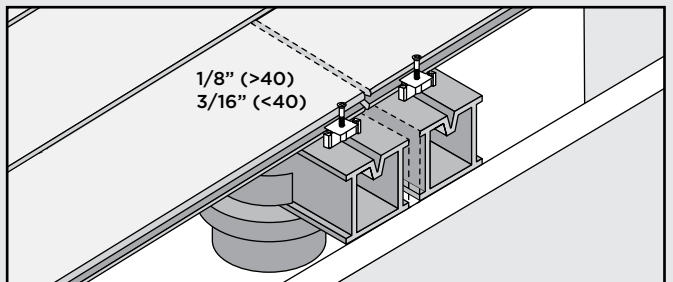
NOTE: All Trex square edge profiles, either 1x6 or 2x6, can be routed.



Using a Trex router bit with standard router:

1. Rout from bottom side of board.
2. Rout the entire length of the board, or at every intersection where board is over support joists.

Metal Framing



NOTE: Hidden Fasteners MUST be used at every joist.

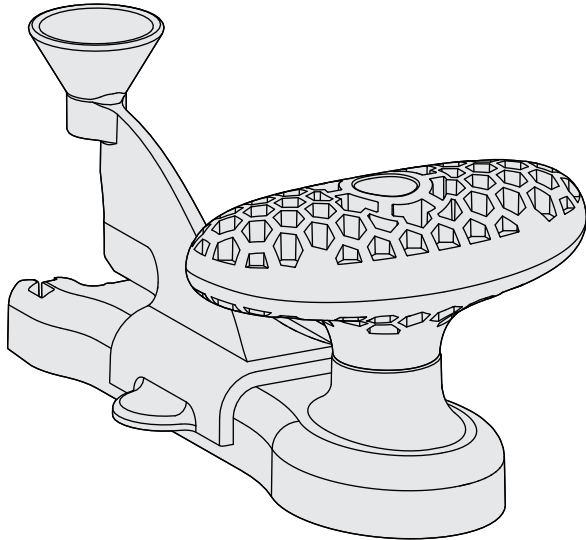
NOTE: Use a drill (with adjustable clutch and torque) and adjust these settings if necessary to ensure screw is seated correctly in fastener. DO NOT countersink the screw head into the fastener. Screw head should be flush with the top of the fastener.

TREX HIDEAWAY®

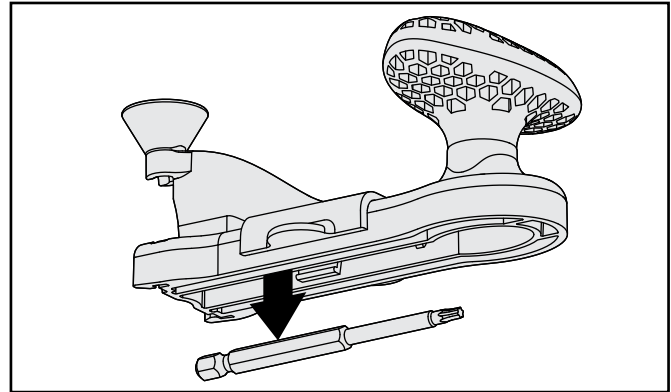
One-Step Hidden Fastener Tool Instructions

The Hideaway® One-Step Installation Tool increases installation speed by allowing you to install the fastener in one easy step. With this tool you can fully actuate the fastener and still install your next deck board, converting what's normally a two-step process into a one-step installation process.

One-Step Hidden Fastener Tool

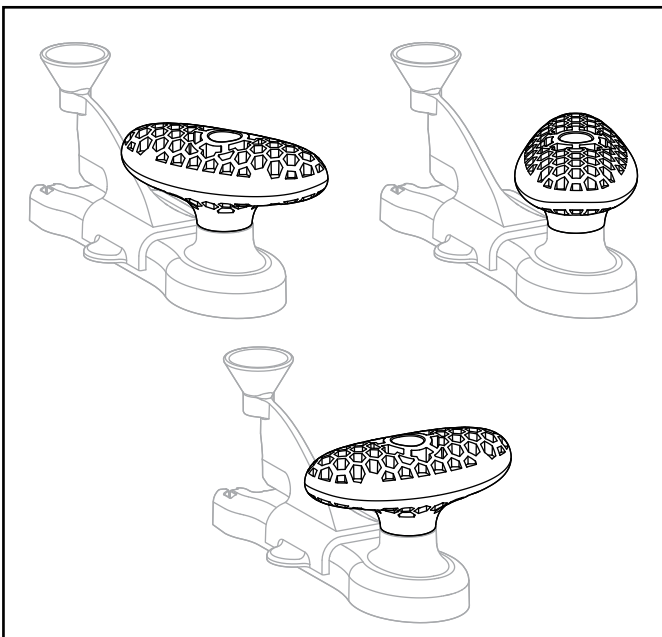


One-Step Hidden Fastener Tool Bit

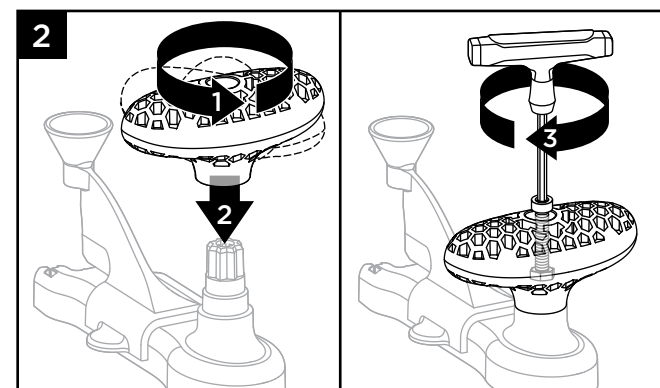
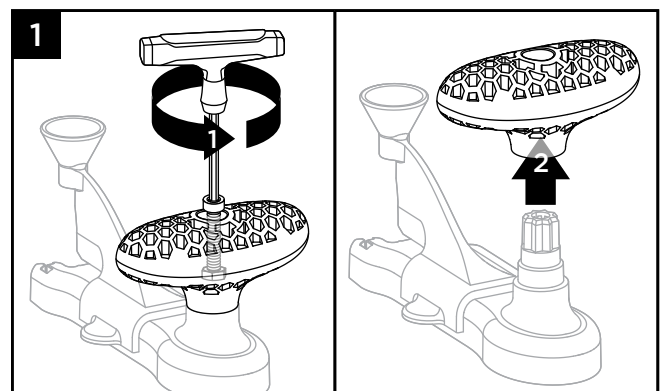


The bit supplied with the Trex Universal Fasteners and the One Step Tool are the same bit, and both are compatible with the tool. Turned down T10 bits from other manufacturers will also work, but please ensure the turned down portion (the narrow nose) is at least 1-1/2" long. Using an inappropriate bit will not allow fasteners to seat correctly and could damage the tool. Bit is conveniently located on the underside of the one-step tool. For replacement Trex® bits please visit Shop.Trex.com.

Handle Adjustment



Handle is adjustable and can be loosened and rotated using a 3/16" hex tool to a comfortable position for the user.



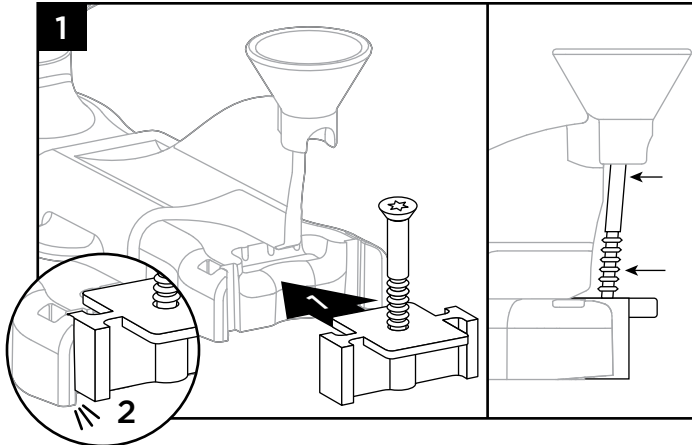
NOTE: Construction methods are always improving. Please refer to www.trex.com for the most up-to-date installation requirements.

TREX HIDEAWAY®

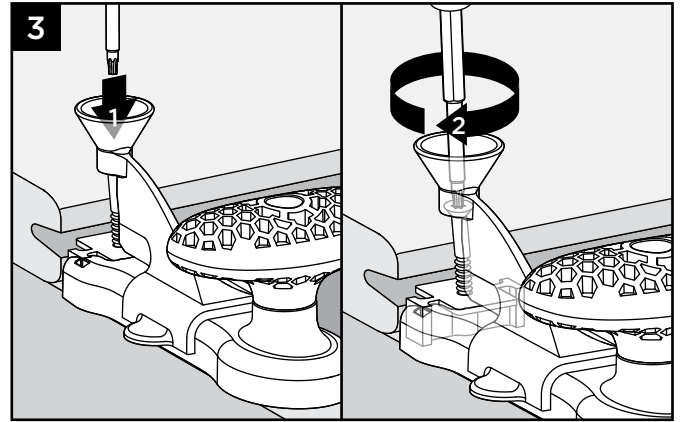
One-Step Hidden Fastener Tool Instructions/CONTINUED

NOTE: See instructions included with Trex Hideaway Universal Hidden Fasteners for general rules including clean cutting board ends, gapping rules, abutted board rules and installation of angled deck boards, as well as start clip instructions, steps to take for large temperature shifts and installation of last deck board.

Installation Instructions

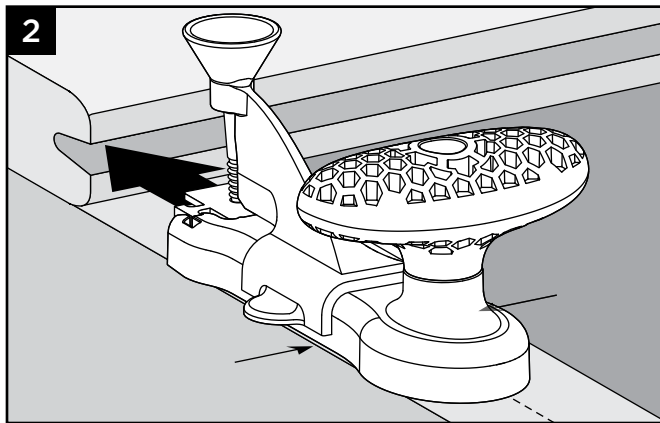


1. Place Hideaway hidden fastener into one-step tool. There will be a slight click when fastener is engaged properly. Screw will also be slightly at an angle when engaged in one-step tool properly.

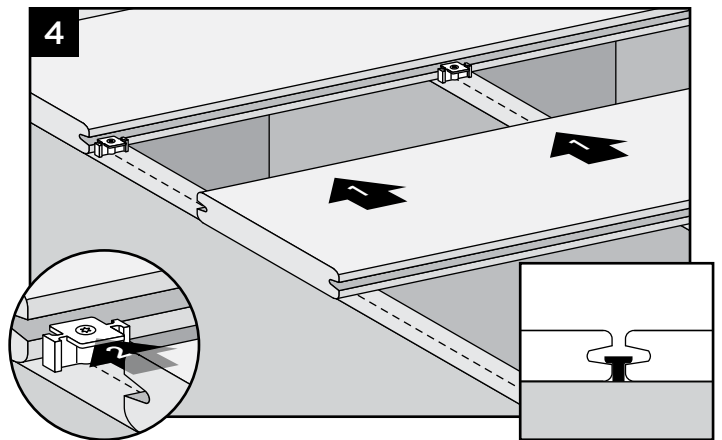


3. Using bit included with one-step tool, install screw as shown. Screw should be slightly countersunk into fastener when installed correctly. Continue to install fasteners on every joist. **Do Not Overdrive Screw.**

NOTE: Signs of overtightening would be the tool getting stuck and unable to remove properly and/or signs that the shaft of the bit is damaging the conical screw guide.



2. Center one-step tool (with fastener included) on joist and push into groove of board.



4. Install next board against installed hidden fasteners. Some slight force (using a rubber mallet) to seat next board against fasteners may be required.

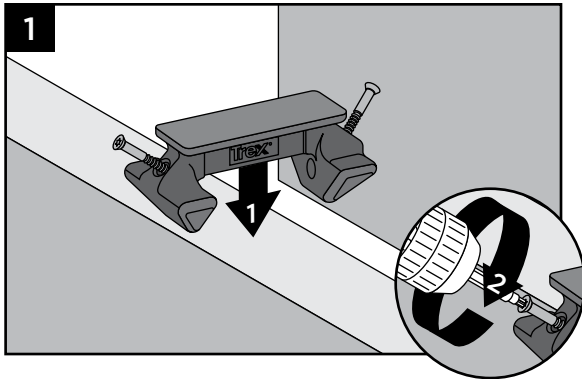
TREX HIDEAWAY®

Butt Joint Clip Instructions

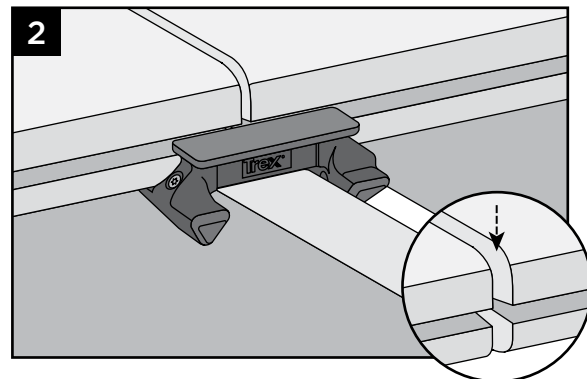
IMPORTANT NOTES:

- » Proper end-to-end gapping is required. See complete installation instructions for details.
- » Cannot be used with Trex RainEscape® applications.
- » Deck boards must be installed across a minimum of 3 supports.

Installation Instructions



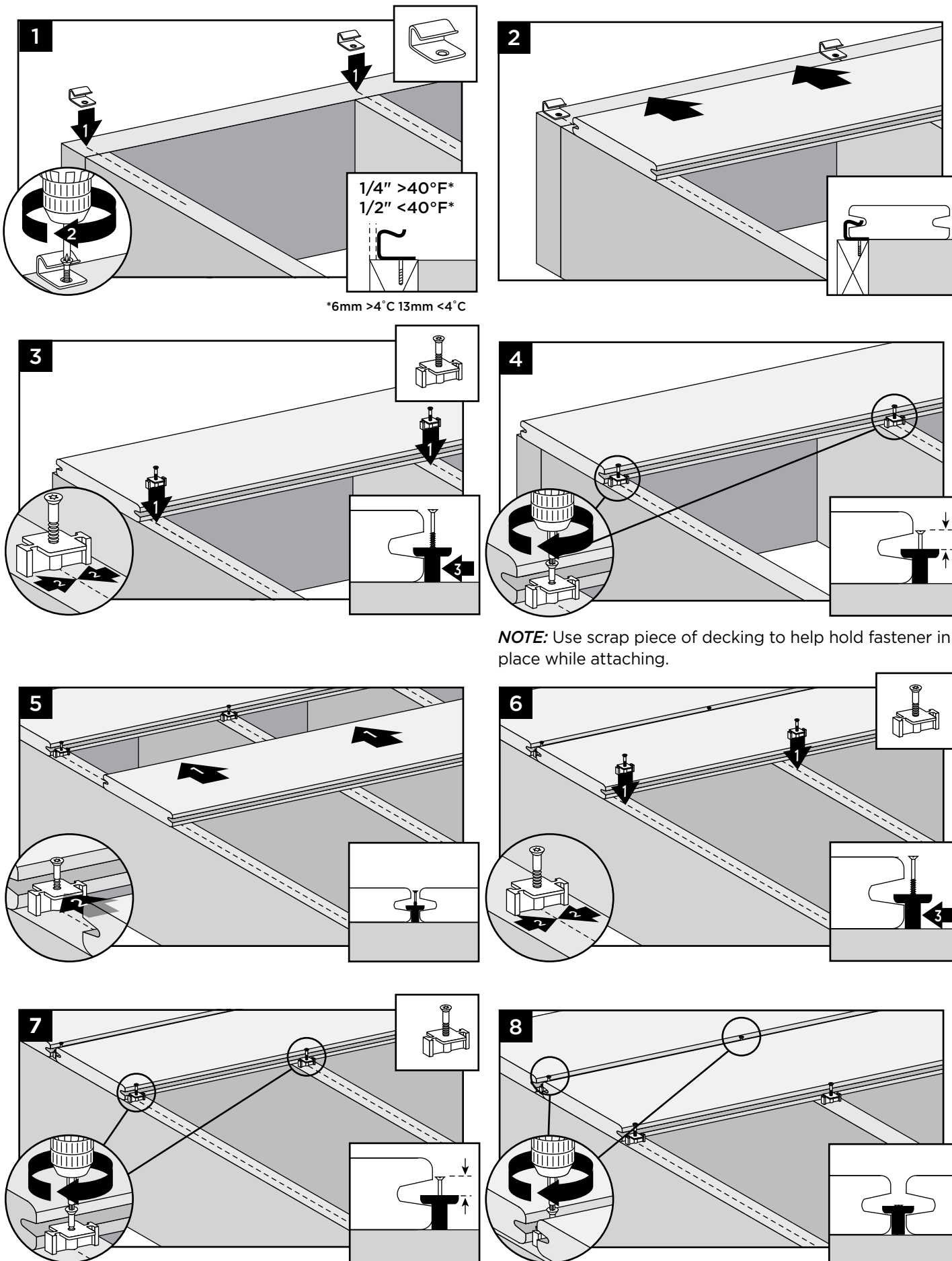
1. For butt joints, where boards meet over a single joist, install butt clip to shared joist as shown with 2 screws (supplied with clip).



2. Properly gap decking per Trex requirements.

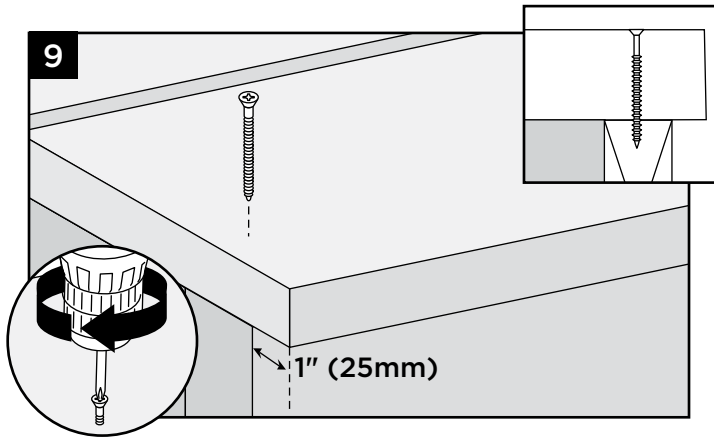
Installing Trex Signature®, Transcend®, Enhance®, Select® Decking

NOTE: These instructions should be followed when **NOT** using the One-Step Tool.



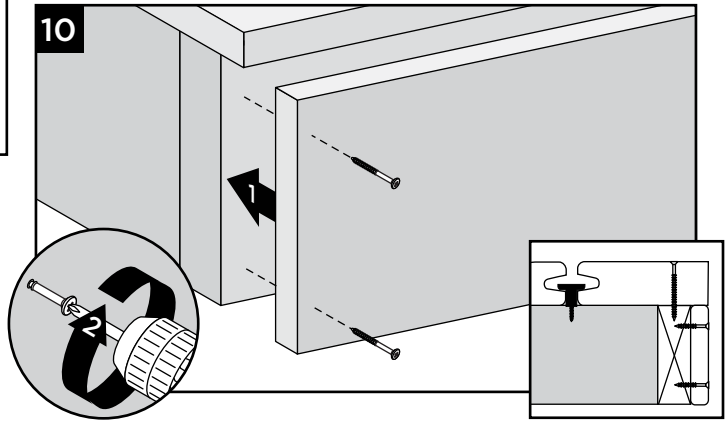
Installing Trex Signature®, Transcend®, Enhance®, Select® Decking/continued

Installing Last Deck Board (Square-Edge Board Recommended)



Route one side of square-edge board to use with hidden fasteners.

TIP: Use a recommended hidden fastener screw and plug for last board installation.

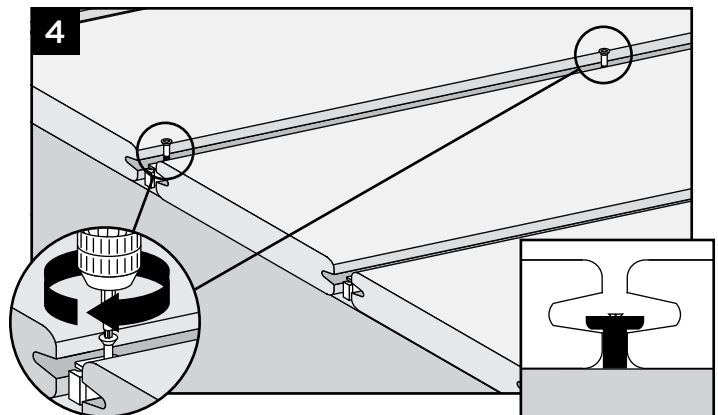
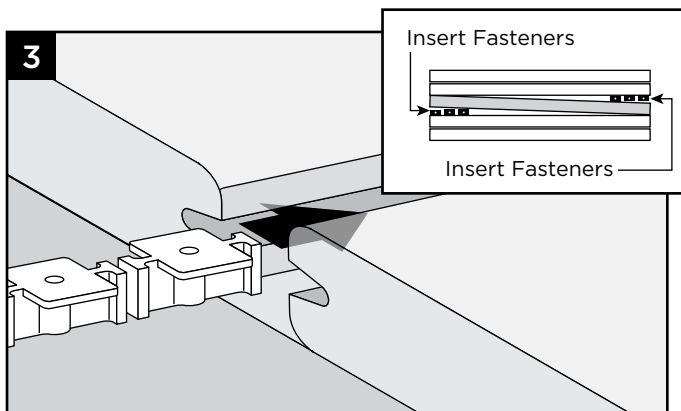
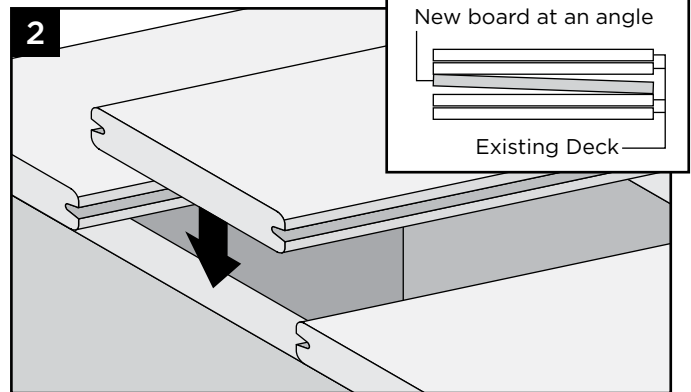
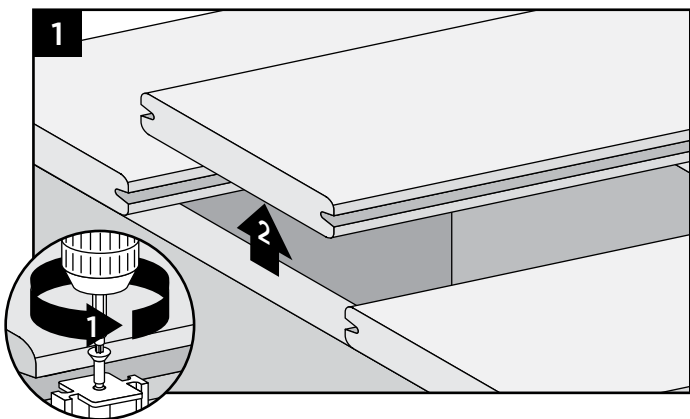


Fascia screws supplied by installer (1" x 8" fascia shown)

NOTE: Refer to page 16 for detailed fascia attachment instructions.

Replacing Trex Decking (Signature®, Transcend®, Enhance®, Select®)

Installed with Trex Hideaway® Universal Fasteners



Trex Hideaway® Deck Plug for Trex Transcend®, and Select® Decking

Installation Instructions

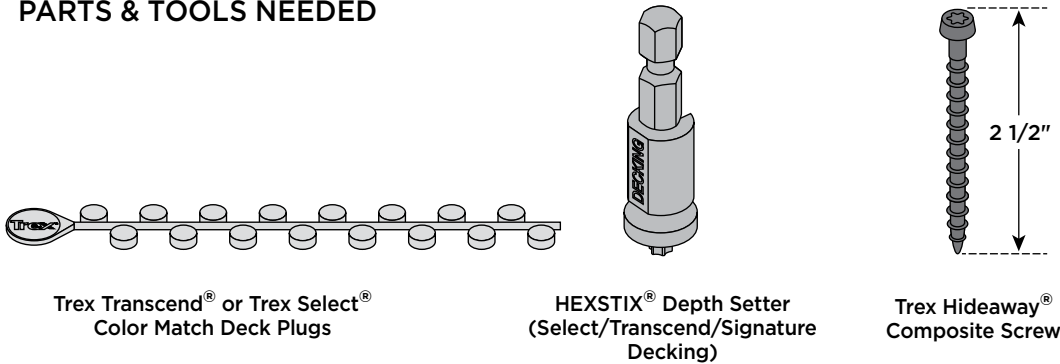
IMPORTANT NOTES:

- » **DO NOT** use for Trex Enhance Decking (or any scalloped profile).
- » **DO NOT** use to install fascia.
- » **Not recommended** for use in salt environments.
- » **Not for use** with sleeper systems.
- » Trex Hideaway® plug systems are compatible only with Trex Plugs.
- » Always follow deck board manufacturer's installation guidelines.

General Installation Recommendations:

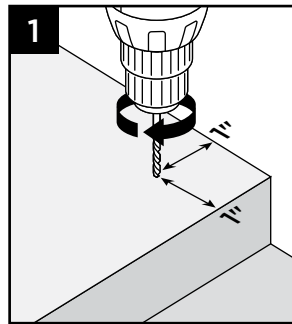
- Always use two screws per joist or stair stringer.
- At board ends on the deck's edge, install screws placed perpendicularly at the recommended distance, at minimum of 1" from the board end and edge, without splitting the board.

PARTS & TOOLS NEEDED

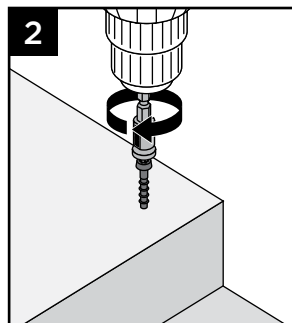


Installation Instructions:

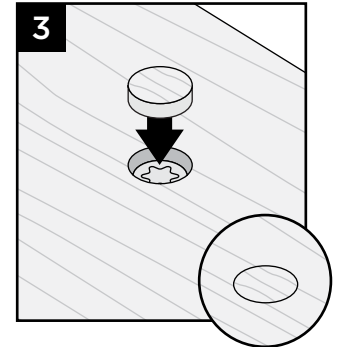
- For best results pre-drill through deck board only, using 1/8" drill bit. When installing close to the end of the board pre-drilling is required.



- For best results using an 18V or higher cordless drill and the included HEXSTIX® depth setter, install fasteners at a 90° angle (perpendicular to the board). Drive the screws into the decking until the bit releases from the screw.



- Clean out hole of any remaining debris and using a Trex Transcend or Trex Select color matched plug (sold separately), align the grain and press plug into the hole, and tap flush with a smooth faced hammer.



NOTE: Drive the screw in all at once, do not stop. You will hear the sound change when the screw is fully driven.

Hexstix® is a registered trademark of Phillips Screw Company

Trex Hideaway® Deck Plug for Trex Enhance® Decking

Installation Instructions

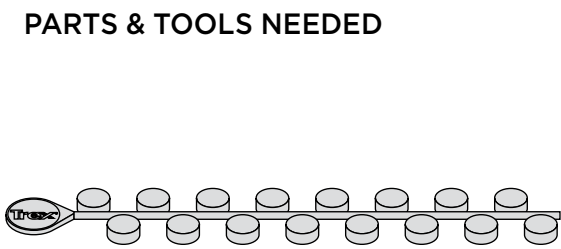
IMPORTANT NOTES:

- » For use with Trex Enhance Decking.
Note: This counterbore tool can also be used for Trex Fascia Plug applications.
- » Not recommended for use in salt environments.
- » Trex Hideaway® plug systems are compatible only with Trex Plugs.
- » Not for use with sleeper systems that are less than 2" thick.
- » Always follow deck board manufacturer's installation guidelines.

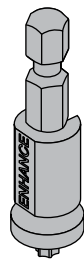
General Installation Recommendations:

- Always use two screws per joist or stair stringer.
- At board ends on the deck's edge, install screws placed perpendicularly at the recommended distance, at minimum of 1" from the board end and edge, without splitting the board.

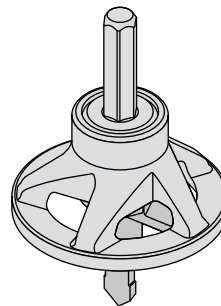
PARTS & TOOLS NEEDED



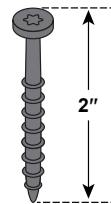
Trex Enhance® Color Match Deck Plugs



HEXSTIX® Depth Setter (Enhance/Fascia)



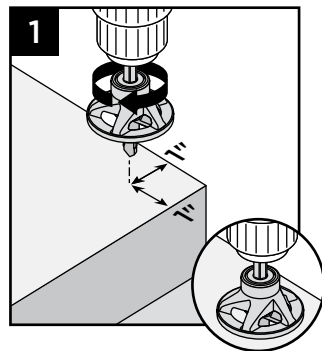
Trex Counterbore tool (teal)



Trex Hideaway® Enhance/Fascia screw

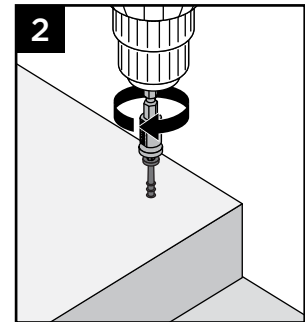
Installation Instructions:

- Using an 18V or higher cordless drill and the Trex Counterbore tool (sold separately), bore counterbore holes to the proper depth by drilling until the cup stops spinning.



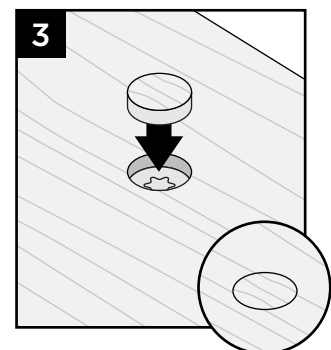
NOTE: This teal counterbore tool can also be used with Trex Fascia Plug installations.

- Using the HEXSTIX® depth setter in a 18v or greater drill or impact driver, install fasteners at a 90° angle (perpendicular to the board). Drive the screws into the decking until the bit releases from the screw.



NOTE: Drive the screw in all at once, do not stop. You will hear a change in sound when the screw is fully driven.

- Clean out hole of any remaining debris and using a Trex Enhance decking color matched plug (sold separately), align the grain and press plug into the hole, and tap flush with a smooth faced hammer.



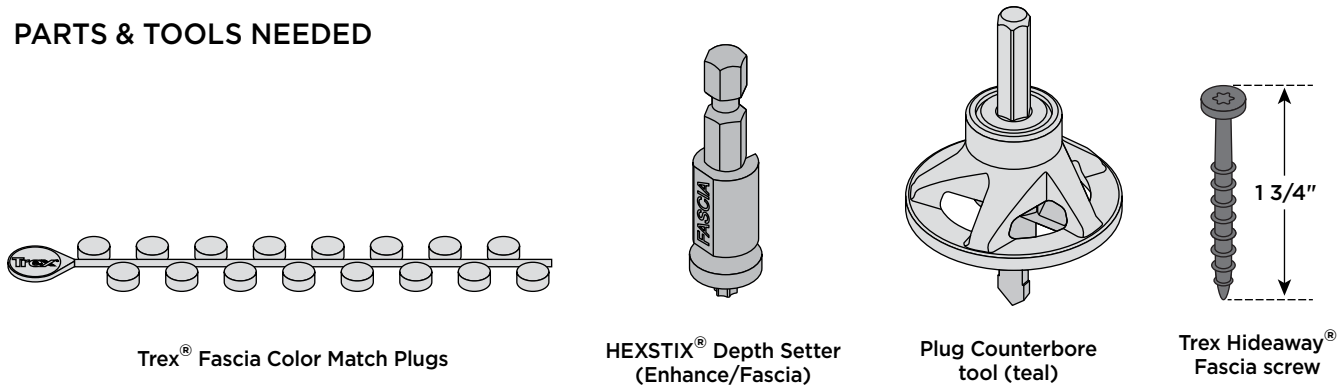
Trex Hideaway® Fascia Plug

Installation Instructions

IMPORTANT NOTES:

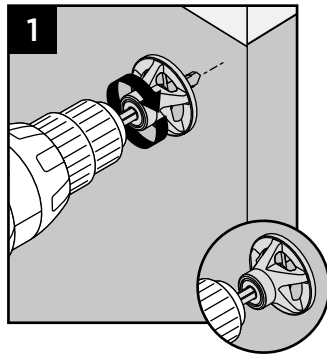
- » *Do NOT use for Trex Decking applications. (however note this counterbore tool can also be used for Trex Enhance Deck plug applications)*
- » *Not recommended for use in salt environments.*
- » *Trex Hideaway® plug systems are compatible only with Trex Plugs.*
- » *Always follow deck board manufacturer's installation guidelines for gapping and general installation recommendations.*

PARTS & TOOLS NEEDED



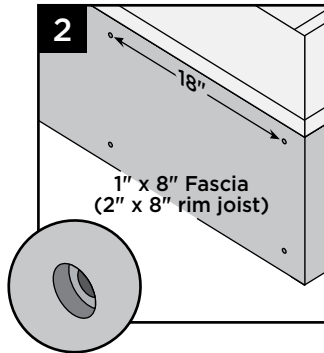
Installation Instructions:

- Using an 18V or higher cordless drill and the Plug Counterbore tool (sold separately), counterbore holes into the fascia board to the proper depth by drilling until the cup stops spinning.

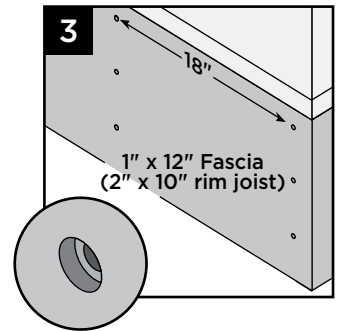


NOTE: This teal counterbore tool and teal Enhance/Fascia HEXSTIX® depth setter can also be used with Trex Enhance Deck Plug installations

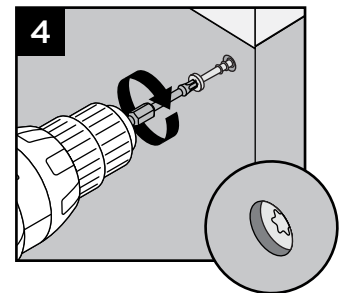
- When using 2" x 8" framing (in most cases 1x8 fascia is used for this application), bore two holes into the fascia every 18", ensuring that holes are starting and ending at least 1" away from ends of the fascia as well as 1" from bottom and top of the rim joist.



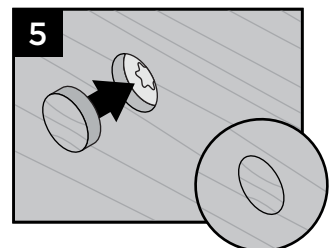
- When using 2" x 10" or larger framing (1x12 fascia applications), bore 3 holes into the fascia every 18" ensuring that holes are starting and ending 1" away from the ends of the fascia as well as 1" from the bottom and top of the rim joist.



- Using the Fascia HEXSTIX® depth setter, install fasteners at a 90° angle (perpendicular to the fascia). Drive the screws into the fascia until the bit releases from the screw.



NOTE: Drive the screw in all at once, do not stop. You will hear the sound change when the screw is fully driven. Do not overdrive screw.



- Clean out hole of any remaining debris and using a Trex fascia plug (sold separately), align the grain and press plug into the hole, and tap flush with a smooth faced hammer.

Trex® Color Match Composite Screw

Installation Instructions

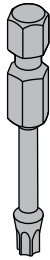
IMPORTANT NOTES:

- » Not recommended for use in salt environments.
- » Not for use with sleeper systems that are less than 2" thick.
- » Always follow deck board manufacturer's installation guidelines.

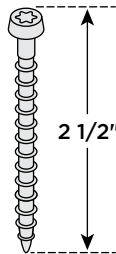
General Installation Recommendations:

- Always use two screws per joist or stair stringer.
- At board ends on the deck's edge, install screws placed perpendicularly at the recommended distance, at minimum of 1" from the board end and edge, without splitting the board.

PARTS & TOOLS NEEDED



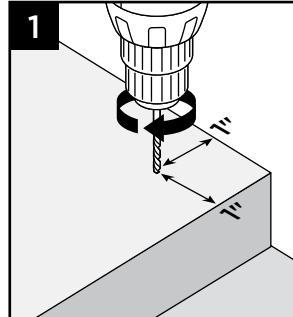
HEXSTIX® HS-20
Drive Bit



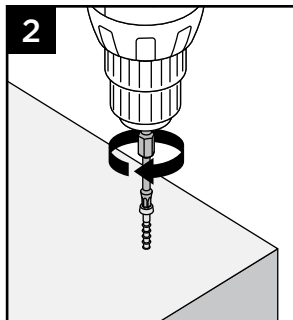
Trex Hideaway® Color-Match
Composite Screw

Installation Instructions:

- For best results pre-drill through deck board only, using 1/8" drill bit. When installing close to the end of the board pre-drilling is required.

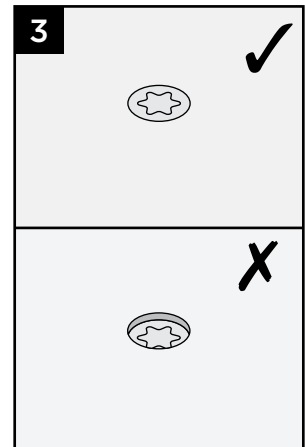


- For best results use an 18V or higher cordless drill and the included HEXSTIX® driver bit, install fasteners at a 90° angle (perpendicular to the board). Always drive screw in one smooth, continuous motion.



- Screws are designed to be installed flush with decking surface.

DO NOT countersink screws.



Note: Never use Torx® ttap® bits in a HexStix® screw.

ttap® is a registered trademark of Ttapdrive AS. Torx® is a registered trademark of Acument Intellectual Properties, LLC

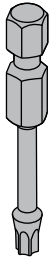
Trex® Fascia Color-Match Composite Screw

IMPORTANT NOTES:

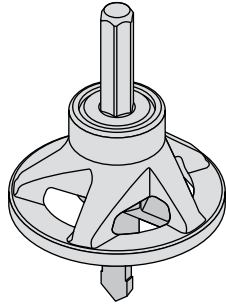
- » Do NOT use for Trex Decking applications.
- » Not recommended for use in salt environments.
- » Always follow fascia board manufacturer's installation guidelines for gapping and general installation recommendations.

The Trex Hideaway® Fascia System works by allowing movement from the moisture cycling of the wood as well as the thermal movement from the wood-plastic composite or PVC fascia. The counterbore tool drills a hole that is slightly larger than the shank of the screw intentionally to allow for this. Do not over tighten screw.

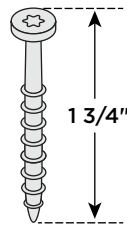
PARTS & TOOLS NEEDED



HEXSTIX® HS-20
Drive Bit



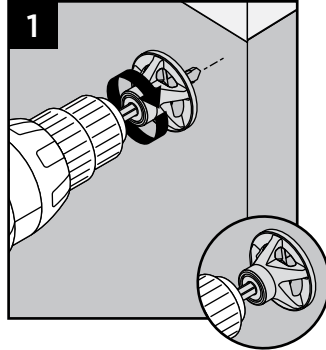
Color-match Fascia
Counterbore tool (red)



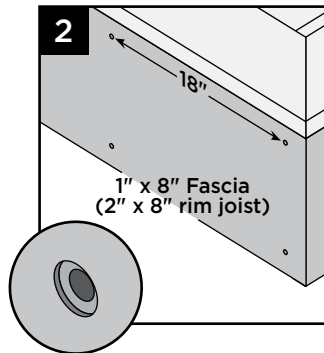
Color-Match
Fascia Screw

Installation Instructions:

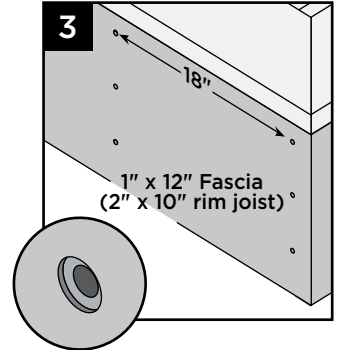
- Using the Color-match Fascia Counterbore tool (sold separately) in an 18V or higher cordless drill, counterbore holes into the fascia board to the proper depth by drilling until the cup stops spinning.



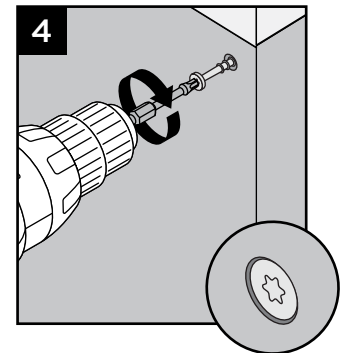
- When using 2" x 8" framing (in most cases 1x8 fascia is used for this application), bore two holes into the fascia every 18", ensuring that holes are starting and ending 1" away from ends of the fascia as well as 1" from bottom and top of the rim joist.



- When using 2" x 10" or larger framing (1x12 fascia applications), bore 3 holes into the fascia every 18" ensuring that holes are starting and ending 1" away from the ends of the fascia as well as 1" from the bottom and top of the rim joist.

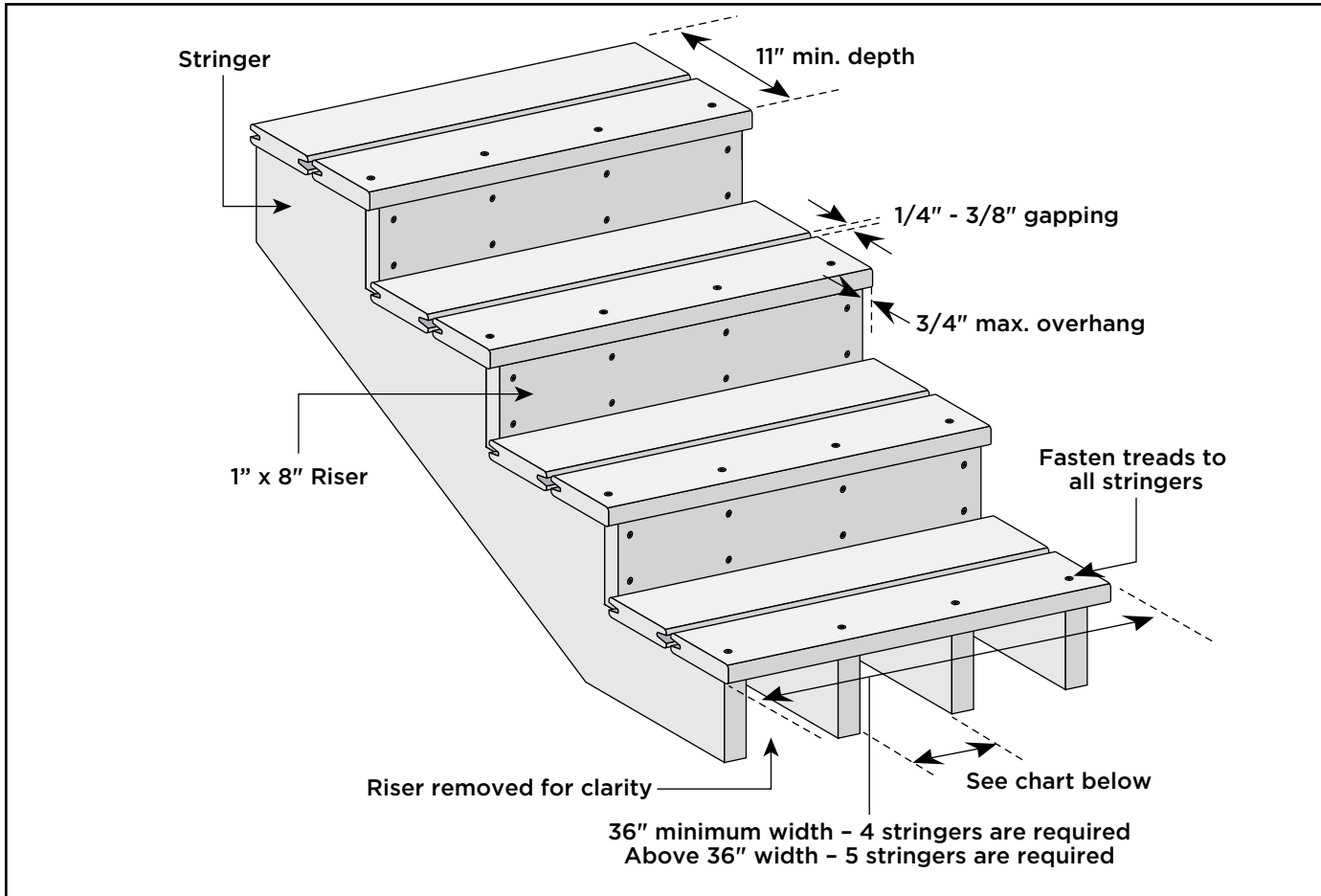


- Using the HEXSTIX® Drive Bit, install fasteners at a 90° angle (perpendicular to the fascia). Screws are designed to be installed flush with decking surface. **DO NOT countersink screws. DO NOT overdrive screws.**



Spanning Requirements for Trex® Stairs

Note: English measurements are shown. Convert to metric measurements if necessary.



Stairs

Stairway Detail

- » Stair treads built with Trex meet requirements of the major national building codes. Consult your local municipality for specific requirements.
- » Fasten stair treads continuously across at least four stringers.
- » See chart (to the right) for center-to-center spacing of profiles.
- » Dress the sides of the stringers and risers with trim or Trex fascia for a finished look.
- » When installing risers, use two screws per every stringer.
- » Fascia fasteners can only be used if fascia boards are being used for risers. If deck boards are used, recommended composite deck screws must be used (glue is not required for this application).
- » Most model building codes require the stair treads to be constructed under the following requirements:
 - › Stairways must be at least 36" wide*
 - › Stair treads must be at least 11" deep
- » Gapping between Trex boards on stair treads must be 1/4"-3/8".
- » The overhang of the stair tread is not to exceed 3/4".

*For railings that are installed directly over stair treads, the stair treads may need to be larger than 36" wide. Refer to local building code regulations for details prior to installing stairs and railings.

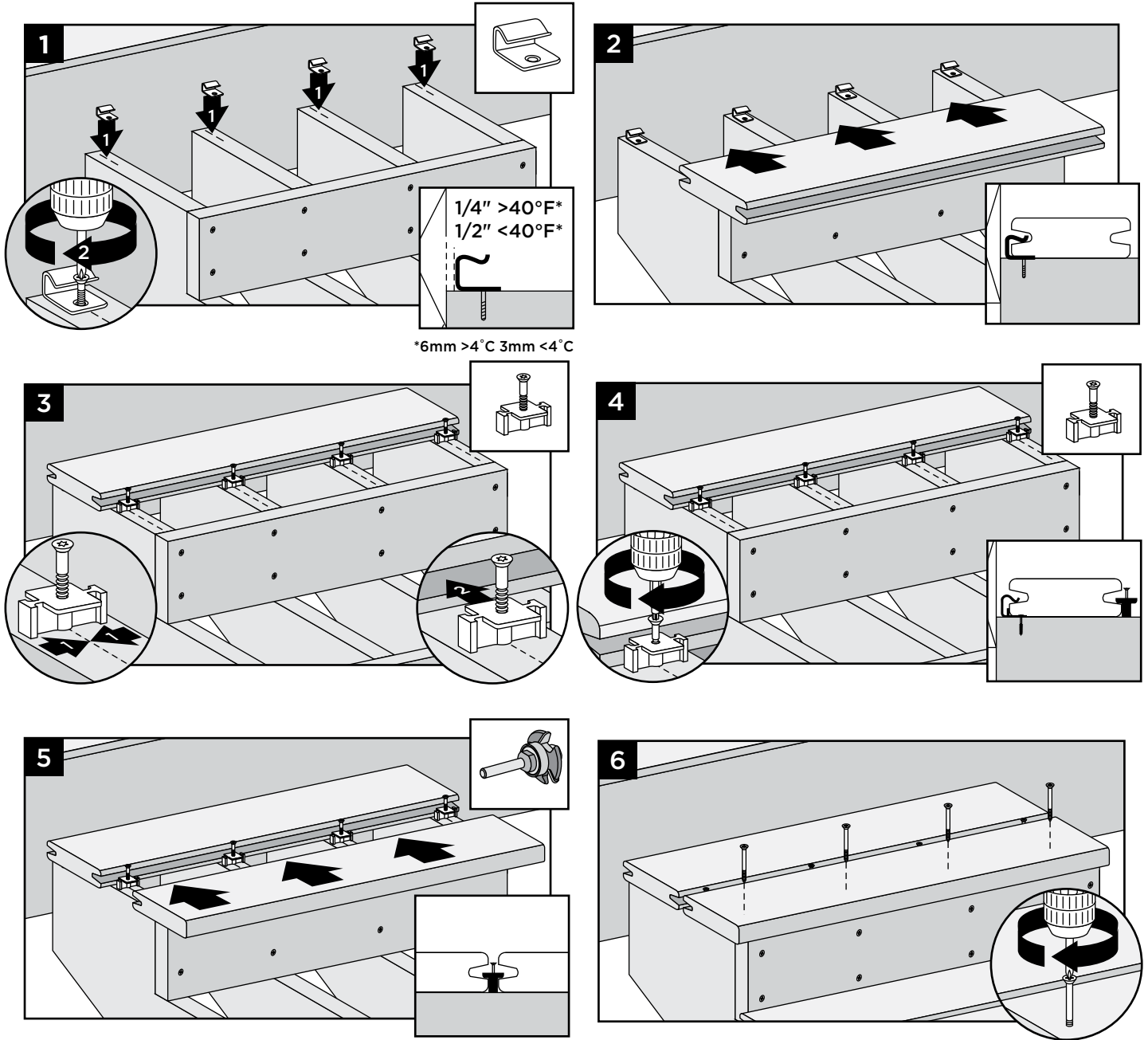
NOTES:

- » Trex rails meet all major building codes for use as a guardrail system. Local municipalities may require a graspable handrail on stairways. Check with your local building code official for local requirements. See Trex ADA Handrail System in the Trex product catalog.

Maximum Spacing on Center of Stair Stringer	
Signature and Transcend 1" x 6"	12"
Select, Enhance 1" x 6"	9"
Transcend & Select 2" x 6"	12"

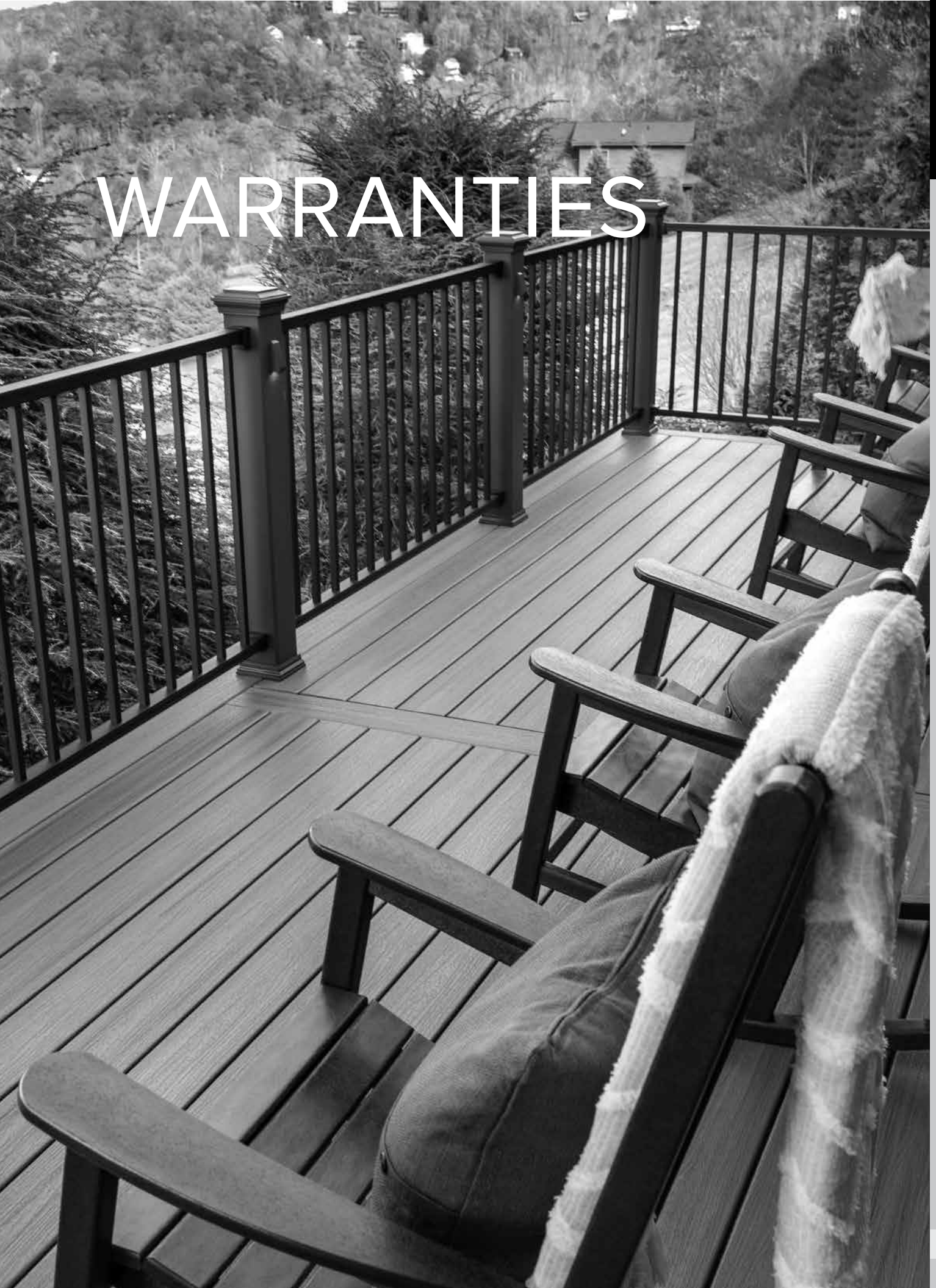
Installing Trex® Stair Treads Installed with Hidden Fasteners

NOTE: If using hidden fasteners, use square-edge, composite decking boards and manually route these on required sides to allow for use with hidden fasteners. In addition, if not using hidden fasteners, square-edge boards can all be used and face fastened using Trex recommended fasteners.



Rout one side of board (last stair tread).

WARRANTIES





TREX® DECKING, FASCIA & CLADDING LIMITED WARRANTY

Trex Company, Inc. (hereinafter "Trex") warrants to the original end-use purchaser ("Purchaser") that, for the applicable Warranty Period set forth in Table I below, when properly installed, used and maintained under normal use and service conditions and in accordance with Trex's written instructions, Trex® product set forth in Table I below (the "Product") shall perform as follows:

Physical Integrity: The Product shall be free from material defects in workmanship and materials, and shall not split, splinter, rot or suffer structural damage from termites or fungal decay.

Fade Resistance: The Product shall not fade in color from light and weathering exposure as measured by color change of (a) more than 5 Delta E (CIE) units for twenty-five years from the date of original purchase, and (b) more than 15 Delta E (CIE) units for the remainder of the Warranty Period, if any. While the Product is designed to resist fading, no material is fade proof when exposed to years of UV exposure and the elements. The Product is designed to resist fading under normal weather conditions and will not fade by more than the number of Delta E (CIE) units indicated above.

Stain Resistance: The Product shall be resistant to permanent staining resulting from spills of food and beverage items including ketchup, mustard, salad oils, tea, wine, coffee, fruit punch, barbecue sauce, sodas and other food and beverage related items that would typically be present on a residential deck, or mold and mildew naturally occurring in the environment, provided that such substances are removed from the Product with soap and water within one (1) week of exposure of the food or beverage to the surface or first appearance of the mold and mildew. Cleaning procedures are described in the Care & Cleaning Guide at www.trex.com.

Notwithstanding the foregoing, Trex does not warrant that the Product is stain-proof and does not warrant stain resistance resulting from spilled or otherwise applied food and beverage substances which are not properly cleaned as provided above within one (1) week of exposure. In addition, materials not covered in this stain resistance section of this Limited Warranty include abrasive compounds of acidic or basic pH, paints or stains, strong solvents, metallic rust or other abnormal deck use items, and non-food and non-beverage substances, including but not limited to, biocides, fungicides, plant food, bactericides, cement, concrete, mortar, stucco and colored chalk. Mold and mildew can settle and grow on any outdoor surface, including this Product. You should periodically clean your deck to remove dirt and pollen that can feed mold and mildew. This Limited Warranty does not cover mold and mildew which is not properly cleaned as provided above within one (1) week of first appearance.

Residential/Commercial Application: For purposes of this Limited Warranty, a "residential application" shall refer to an installation of the Product on an individual residence, and a "commercial application" shall refer to any installation of the Product other than on an individual residence.

Term of Limited Warranty: The term of this Limited Warranty for a Product (the "Warranty Period") begins on the date of original purchase and shall be equal to the number of years set forth next to such Product in Table I below.

TABLE I

Product	Residential Warranty Period	Commercial Warranty Period
Signature® Decking and Trex® Fascia	50 Years	10 Years
Trex Transcend® Decking and Trex® Fascia	50 Years	10 Years
Trex® Cladding	50 Years	25 Years
Trex Select® Decking and Trex® Fascia, Universal Fascia	35 Years	10 Years
Trex Enhance® Decking and Trex® Fascia	25 Years	10 Years

Transferability: With respect to a residential application, this Limited Warranty may be transferred one (1) time, within the five (5) year period beginning from the date of original purchase by the Purchaser, to a subsequent buyer of the property upon which the Product was originally installed. With respect to a commercial application, this Limited Warranty is freely transferable to subsequent buyers of the property upon which the Product was originally installed.

EXCLUSIONS FROM WARRANTY COVERAGE

The Products must be stored, handled, installed, used and maintained in accordance with instructions provided by Trex, and this Limited Warranty is conditioned upon compliance with all such instructions. Copies of Trex's Installation Guides, Technical Information and Care and Cleaning Guides are available from Trex at the address listed below. The materials may also be obtained on Trex's website at trex.com. Any information or suggestion by Trex with respect to the Products concerning applications, specifications or compliance with codes and standards, including building or safety codes, is provided solely for Purchaser's convenient reference and is made without any representation as to accuracy or suitability. Purchaser must verify and test the suitability of any information with respect to the Products for Purchaser's specific application. This Limited Warranty does not cover defects caused by:

Exposure to Heat: Direct or indirect contact with extreme heat sources (over 275°F/135°C) may cause fading and may damage the surface of the Product, and any effects of such exposure are expressly excluded from coverage under this Limited Warranty.

Surface Damage: Never use metal shovels or sharp-edged tools to remove snow and ice on the surface of the Product. If the surface of the Product is damaged or punctured, this Limited Warranty will be voided.

Paint or Other Materials Applied to the Product: If paint, solvents or other coating materials are applied to the Product, this Limited Warranty will be voided.

Other Exclusions: This Limited Warranty shall not cover any condition attributable to: (1) improper installation of the Product and/or failure to abide by Trex's installation guidelines, including but not limited to improper gapping; (2) use of the Product beyond normal use or service conditions, or in an application not recommended by Trex's guidelines and local building codes; (3) movement, distortion, collapse or settling of the ground or the supporting structure on which the Product is installed; (4) any act of God (such as flooding, hurricane, earthquake, lightning, etc.), environmental condition (such as air pollution, mold, mildew, etc.), staining from foreign substances other than food and beverages (such as dirt, grease, oil, etc.); (5) improper handling, storage, abuse or neglect of the Product by Purchaser, the transferee or third parties; (6) any fading or staining not on the walking surface of the Product (i.e., the underside or the ends of the Product); or (7) ordinary wear and tear.

Excluded Products: This Warranty shall not apply to any Trex products not listed in Table I, including, but not limited to, Trex Transcend® railing, Trex Enhance® railing, Trex Select® railing, Trex Signature® railing, Trex Decklighting products, TrexTrim™ products, Trex® Outdoor Lighting products, Trex Hideaway® Fasteners, and Trex® Fencing, which are excluded from this Limited Warranty. Each of these products has a separate Limited Warranty.

PROCEDURE FOR MAKING A CLAIM UNDER THIS LIMITED WARRANTY

To make a claim under this Limited Warranty, Purchaser must do the following:

1. If the Purchaser is making a claim relating to the Limited Warranty on stain resistance, Purchaser must do as follows:

(a) Purchaser must try to clean the affected area of the deck by using the cleaning procedures described above (and provided in more detail in the Care & Cleaning Guide found at www.trex.com) within one (1) week of exposure of the food or beverage to the Product or first appearance of the mold and mildew.

(b) If the affected area remains reasonably unsatisfactory after Purchaser has tried these cleaning procedures, then Purchaser must have the affected area of the deck professionally cleaned at Purchaser's expense.

(c) If the affected area remains reasonably unsatisfactory after the professional cleaning, Purchaser may make a claim under this Limited Warranty, provided that such claim is made within thirty (30) days after the professional cleaning.

2. To make a claim under this Limited Warranty, Purchaser, or the transferee, shall send to Trex, within the Warranty Period referred to above, a written description and photographs of the claimed defect, proof of purchase, and if the claim relates to the Limited Warranty on stain resistance, proof of compliance with paragraph 1 above, to the following address:

Trex Company, Inc.
Customer Relations
2500 Trex Way
Winchester, VA 22601



TREX® DECKING, FASCIA & CLADDING LIMITED WARRANTY (CONTINUED)

3. Upon confirmation by an authorized Trex representative of a valid claim hereunder, Trex's sole responsibility shall be, at its option, to either: (a) replace the affected Product with new Product in an amount equal to the volume (linear feet) of defective material; or (b) refund the portion of the purchase price paid by Purchaser for such affected Product (not including the cost of its initial installation). Replacement Products will be as close in color, design, and quality to the original Products as reasonably possible, in Trex's discretion and determination, but Trex does not guarantee an exact match as colors and designs may change and Trex's obligation as to replacement shall further be limited to replacement with the styles and colors of the Product that are available at the time of the replacement. **THE REMEDIES STATED IN THIS PARAGRAPH ARE PURCHASER'S SOLE AND EXCLUSIVE REMEDIES FOR ANY PRODUCT THAT FAILS TO CONFORM TO THIS LIMITED WARRANTY.**

If a valid warranty claim hereunder is made during year eleven (11) or any year thereafter through the expiration of the applicable Warranty Period after the original purchase, recovery will be prorated in accordance with Table II, below. If Trex is providing replacement materials, it may elect to replace the percentage listed in Table II, below, of boards otherwise meeting the requirements for a claim, or if it is refunding the purchase price, it may elect to refund the percentage listed below in Table II of the purchase price of Product otherwise meeting the requirements for a claim.

TABLE II

Year of Claim	Warranty Period		
	50 Year	35 Year	25 Year
11	90%	80%	80%
12	90%	80%	80%
13	90%	80%	80%
14	90%	80%	60%
15	90%	60%	60%
16	90%	60%	60%
17	70%	60%	40%
18	70%	60%	40%
19	70%	40%	40%
20	70%	40%	20%
21	70%	40%	20%
22	70%	40%	20%
23	50%	20%	10%
24	50%	20%	10%
25	50%	20%	10%
26	50%	20%	-
27	50%	20%	-
28	50%	20%	-
29	30%	10%	-
30	30%	10%	-
31	30%	10%	-
32	30%	10%	-
33	30%	10%	-
34	30%	10%	-

Year of Claim	Warranty Period		
	50 Year	35 Year	25 Year
35	30%	10%	-
36	20%	-	-
37	20%	-	-
38	20%	-	-
39	20%	-	-
40	20%	-	-
41	20%	-	-
42	20%	-	-
43	10%	-	-
44	10%	-	-
45	10%	-	-
46	10%	-	-
47	10%	-	-
48	10%	-	-
49	10%	-	-
50	10%	-	-

THE LIMITED WARRANTIES SET FORTH HEREIN ARE THE ONLY WARRANTIES MADE BY TREX IN CONNECTION WITH THESE PRODUCTS. TREX DOES NOT MAKE ANY OTHER WARRANTIES, IMPLIED OR EXPRESS, AND DISCLAIMS ALL OTHER WARRANTIES, INCLUDING, BUT NOT LIMITED TO, ANY IMPLIED WARRANTY OF MERCHANTABILITY OR FITNESS FOR A PARTICULAR PURPOSE. TREX'S SOLE OBLIGATION UNDER THIS LIMITED WARRANTY SHALL BE, AT ITS OPTION, REPLACEMENT OF NON-CONFORMING PRODUCTS OR A REFUND OF THE PURCHASE PRICE, AS DESCRIBED ABOVE. PURCHASER ASSUMES ALL RISK WHATSOEVER AS TO THE RESULT OF THE USE OF THE PRODUCTS PURCHASED, WHETHER USED SINGULARLY OR IN COMBINATION WITH ANY OTHER PRODUCTS OR SUBSTANCES.

THIS LIMITED WARRANTY SHALL NOT COVER AND TREX SHALL NOT BE RESPONSIBLE FOR COSTS AND EXPENSES INCURRED WITH RESPECT TO THE REMOVAL OF DEFECTIVE PRODUCT OR THE INSTALLATION OF REPLACEMENT MATERIALS, INCLUDING BUT NOT LIMITED TO LABOR AND FREIGHT.

No person or entity is authorized by Trex to make and Trex shall not be bound by any statement or representation as to the quality or performance of Product other than as contained in this Limited Warranty. This Limited Warranty may not be altered or amended except in a written instrument signed by Trex and Purchaser.

TO THE FULLEST EXTENT PERMITTED UNDER THE LAW, UNDER NO CIRCUMSTANCES WILL TREX BE LIABLE FOR ANY SPECIAL, INDIRECT, INCIDENTAL, CONSEQUENTIAL, RELIANCE, STATUTORY, SPECIAL, PUNITIVE OR EXEMPLARY DAMAGES, INCLUDING, BUT NOT LIMITED TO, LOST PROFITS, LOSS OF USE, LOSS OF TIME, LOSS OF REVENUES, INCONVENIENCE, LOSS OF BUSINESS OPPORTUNITIES, OR

DAMAGE TO GOOD WILL OR REPUTATION DAMAGES, WHETHER SUCH DAMAGES ARE SOUGHT IN CONTRACT, IN TORT (INCLUDING BUT NOT LIMITED TO NEGLIGENCE AND STRICT LIABILITY) OR OTHERWISE, EVEN IF ADVISED OF THE POSSIBILITY OF SUCH DAMAGES OR SUCH DAMAGES COULD HAVE BEEN REASONABLY FORESEEN, IN CONNECTION WITH, ARISING OUT OF, OR AS A RESULT OF, THE SALE, DELIVERY, INSTALLATION, USE OR LOSS OF USE OF THE PRODUCTS SOLD HEREUNDER, OR FOR ANY LIABILITY OF PURCHASER TO ANY THIRD PARTY WITH RESPECT THERETO AND TREX'S LIABILITY FOR NON-PERSONAL INJURY CLAIMS WITH RESPECT TO DEFECTIVE PRODUCT SHALL IN NO EVENT EXCEED THE REPLACEMENT OF SUCH PRODUCT OR REFUND OF THE PURCHASE PRICE, AS DESCRIBED ABOVE.

Some States or Provinces do not allow the exclusion or limitation of incidental or consequential damages, so the above limitation or exclusion may not apply to you. This Limited Warranty gives you specific legal rights, and you may also have other rights that vary from State to State or Province to Province.

Copyright © 2024 Trex Company, Inc.



TREX® FASTENERS LIMITED WARRANTY

Trex Company, Inc. (hereinafter "Trex") warrants to the original end-use purchaser ("Purchaser") that, for the period of time set forth in the following paragraph, when properly installed, used and maintained under normal use and service conditions, and in accordance with Trex's written instructions, Trex® products set forth in Table I below (the "Product") shall be free from material defects in workmanship and materials, and shall not structurally fail due to corrosion or rust.

TABLE I

Product
Trex Hideaway® Hidden Fasteners
Trex Hideaway® Decking Screws
Trex Hideaway® Fascia Screws

Term of Limited Warranty: The term of this Limited Warranty for a Product (the "Warranty Period") begins on the date of original purchase and shall be equal to the warranty period of the Trex Decking Product on which it is installed which can be found in the "Trex Decking, Fascia and Cladding Limited Warranty" available from Trex at the address listed below and on Trex's website at trex.com. If the Product is installed on other brands of woodplastic composite, cellular PVC or mineral-based composite decking, the warranty shall be twenty-five (25) years from the date of original purchase for a residential application, and ten (10) years from the date of original purchase for a commercial application.

Residential/Commercial Application: For purposes of this warranty, a "residential application" shall refer to an installation of the Product on an individual residence, and a "commercial application" shall refer to any installation of the Product other than on an individual residence.

Transferability: With respect to a residential application, this warranty may be transferred one (1) time, within the five- (5) year period beginning from the date of original purchase by the Purchaser, to a subsequent buyer of the property upon which the Product was originally installed. With respect to a commercial application, this warranty is freely transferable to subsequent buyers of the property upon which the Product was originally installed.

EXCLUSIONS FROM WARRANTY COVERAGE

This warranty shall not apply to any Trex products not listed in Table I, including, but not limited to, installation drive bits, counterbore tools and hand-held installation tools.

The Products must be stored, handled, installed, used and maintained in accordance with instructions provided by Trex, and this Limited Warranty is conditioned upon compliance with all such instructions. Copies of Trex's Installation Guides and Technical Information are available from Trex at the address listed below. The materials may also be obtained on Trex's website at trex.com.

Any information or suggestion by Trex with respect to the Products concerning applications, specifications or compliance with codes and standards, including building or safety codes, is provided solely for Purchaser's convenient reference, and is made without any representation as to accuracy or suitability. Purchaser must verify and test the suitability of any information with respect to the Products for Purchaser's specific application.

Trex does not warrant against and is not responsible for any condition attributable to: (1) improper installation of Product and/or failure to abide by Trex's installation guidelines, including but not limited to improper gapping; (2) use of Product beyond normal use and service conditions, or in an application not recommended by Trex's guidelines and local building codes;

(3) movement, distortion, collapse or settling of the ground or the supporting structure on which Product is installed; (4) any act of God (such as flooding, hurricane, earthquake, lightning, etc.), environmental condition (such as air pollution, mold, mildew, etc.); (5) variations or changes in color of Product; (6) improper handling, storage, abuse or neglect of Product by Purchaser, the transferee or third parties; or (7) ordinary wear and tear.

Additionally, for Product except the Trex Hideaway® Hidden Fasteners, Trex does not warrant against and is not responsible for any condition attributable to: (1) installation exposed to chemicals used in pools and hot tubs; (2) exposure to de-icing products containing chemicals or salt; (3) installation in high salinity environments, such as installations within 1500 feet of any body of salt water or in direct contact with any body of water; (4) consistently wet applications; (5) installation on decks installed at ground level, decks installed over sleeper systems; (6) installation exposed to ground contact; (7) Products driven into lumber that contains corrosive tannins; or (8) use of the Products in any application other than securing wood alternative decking and fascia products to wood framing.

PROCEDURE FOR MAKING A CLAIM UNDER THIS LIMITED WARRANTY

To make a claim under this Limited Warranty, Purchaser, or the transferee, shall send to Trex, within the Warranty Period referred to above, a written description and photographs of the claimed defect and proof of purchase, to the following address:

Trex Company, Inc.
Customer Relations
2500 Trex Way
Winchester, VA 22601

Upon confirmation by an authorized Trex representative of a valid claim hereunder, Trex's sole responsibility shall be, at its option, to either: (a) replace the affected Product with new Product in an amount equal to the amount of defective material; or (b) refund the portion of the purchase price paid by Purchaser for such affected Product (not including the cost of its initial installation). Replacement Products will be as close in color, design, and quality to the original Products as reasonably possible, in Trex's discretion and determination, but Trex does not guarantee an exact match as colors and designs may change and Trex's obligation as to replacement shall further be limited to replacement with the styles and colors of the Product that are available at the time of the replacement.

THE REMEDIES STATED IN THIS PARAGRAPH ARE PURCHASER'S SOLE AND EXCLUSIVE REMEDIES FOR ANY PRODUCT THAT FAILS TO CONFORM TO THIS LIMITED WARRANTY. THIS LIMITED WARRANTY SHALL NOT COVER AND TREX SHALL NOT BE RESPONSIBLE FOR COSTS AND EXPENSES INCURRED WITH RESPECT TO THE REMOVAL OF DEFECTIVE PRODUCT OR THE INSTALLATION OF REPLACEMENT MATERIALS, INCLUDING BUT NOT LIMITED TO LABOR AND FREIGHT.

If a valid warranty claim hereunder is made during year eleven (11) or any year thereafter through the expiration of the applicable Warranty Period after the original purchase, recovery will be prorated in accordance with Table II, below. If Trex is providing replacement materials, it may elect to replace the percentage listed in Table II, below, of Product otherwise meeting the requirements for a claim, or if it is refunding the purchase price, it may elect to refund the percentage listed below in Table II of the purchase price of Product otherwise meeting the requirements for a claim.



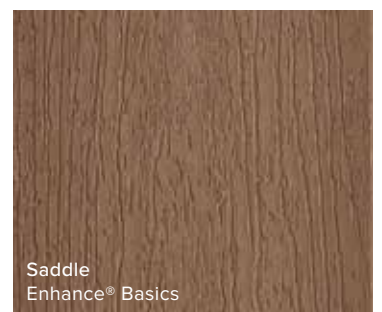
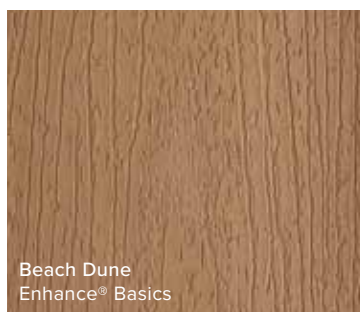
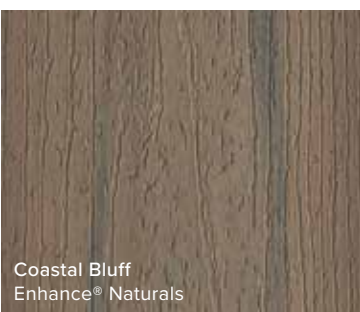
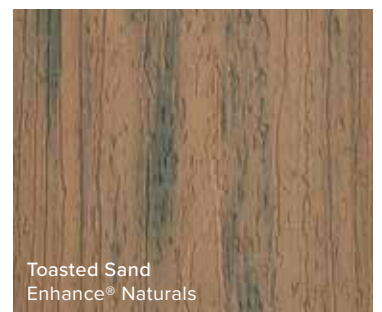
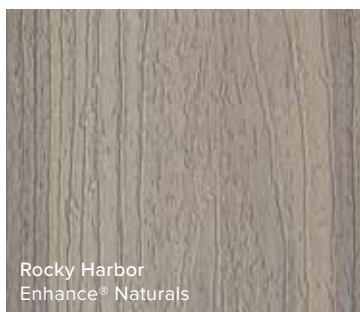
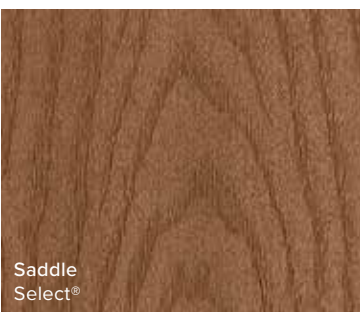
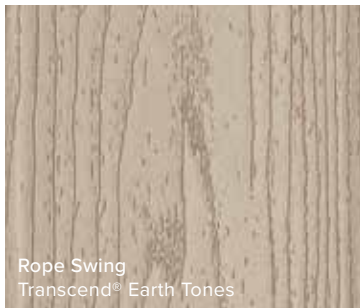
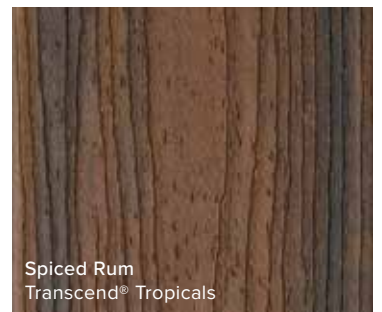
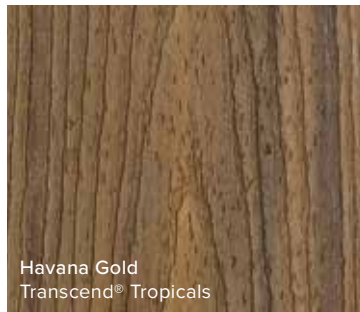
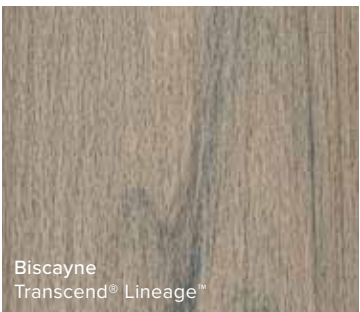
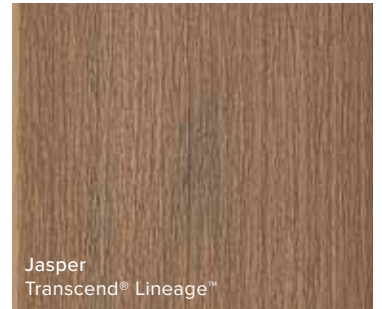
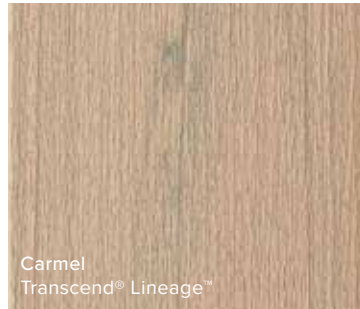
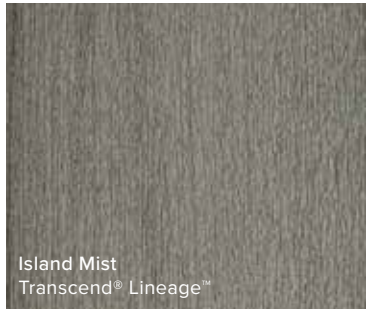
TREX® FASTENERS LIMITED WARRANTY (continued)

TABLE II

Year of Claim	Warranty Period		
	50 Year	35 Year	25 Year
11	90%	80%	80%
12	90%	80%	80%
13	90%	80%	80%
14	90%	80%	60%
15	90%	60%	60%
16	90%	60%	60%
17	70%	60%	40%
18	70%	60%	40%
19	70%	40%	40%
20	70%	40%	20%
21	70%	40%	20%
22	70%	40%	20%
23	50%	20%	10%
24	50%	20%	10%
25	50%	20%	10%
26	50%	20%	-
27	50%	20%	-
28	50%	20%	-
29	30%	10%	-
30	30%	10%	-
31	30%	10%	-
32	30%	10%	-
33	30%	10%	-
34	30%	10%	-
35	30%	10%	-
36	20%	-	-
37	20%	-	-
38	20%	-	-
39	20%	-	-
40	20%	-	-
41	20%	-	-
42	20%	-	-
43	10%	-	-
44	10%	-	-
45	10%	-	-
46	10%	-	-
47	10%	-	-
48	10%	-	-
49	10%	-	-
50	10%	-	-

Copyright © 2024 Trex Company, Inc.

DECKING COLOR PALETTE





FRONT:
 Transcend Lineage
 Decking in Rainier (RN) with
 Trex Signature Railing
 in Classic White (WT)

BACK:
 Transcend Lineage
 Decking in Biscayne (BC)
 with Trex Signature
 Glass Railing in
 Charcoal Black (BK)



Engineering What's Next
 in Outdoor Living®

DECKING | RAILING | LIGHTING | FASCIA | KITCHENS | FURNITURE | PERGOLA | DRAINAGE
 SPIRAL STAIRS | CORNHOLE | LATTICE | CLADDING | HIDDEN FASTENERS | FENCING

Visit [trex.com](https://www.trex.com) or call **1-800-BUY-TREX**

FIND US ON



© 2024 Trex Company, Inc. All rights reserved. Trex®, the Trex logo, TrexPro®, Trex Enhance®, Trex Select®, Trex Transcend®, Trex Transcend® Lineage™, Trex Signature®, Trex® OutdoorLighting, Trex Hideaway®, Trex® Pergola, Trex® Outdoor Kitchens, Trex® Outdoor Furniture, Trex® Cladding, Trex® Fascia, Trex® Spiral Stairs, Trex® Cornhole, Trex® Lattice and Trex® Fencing are either federally registered trademarks, trademarks or trade dress of Trex Company, Inc., Winchester, Virginia or its licensees.